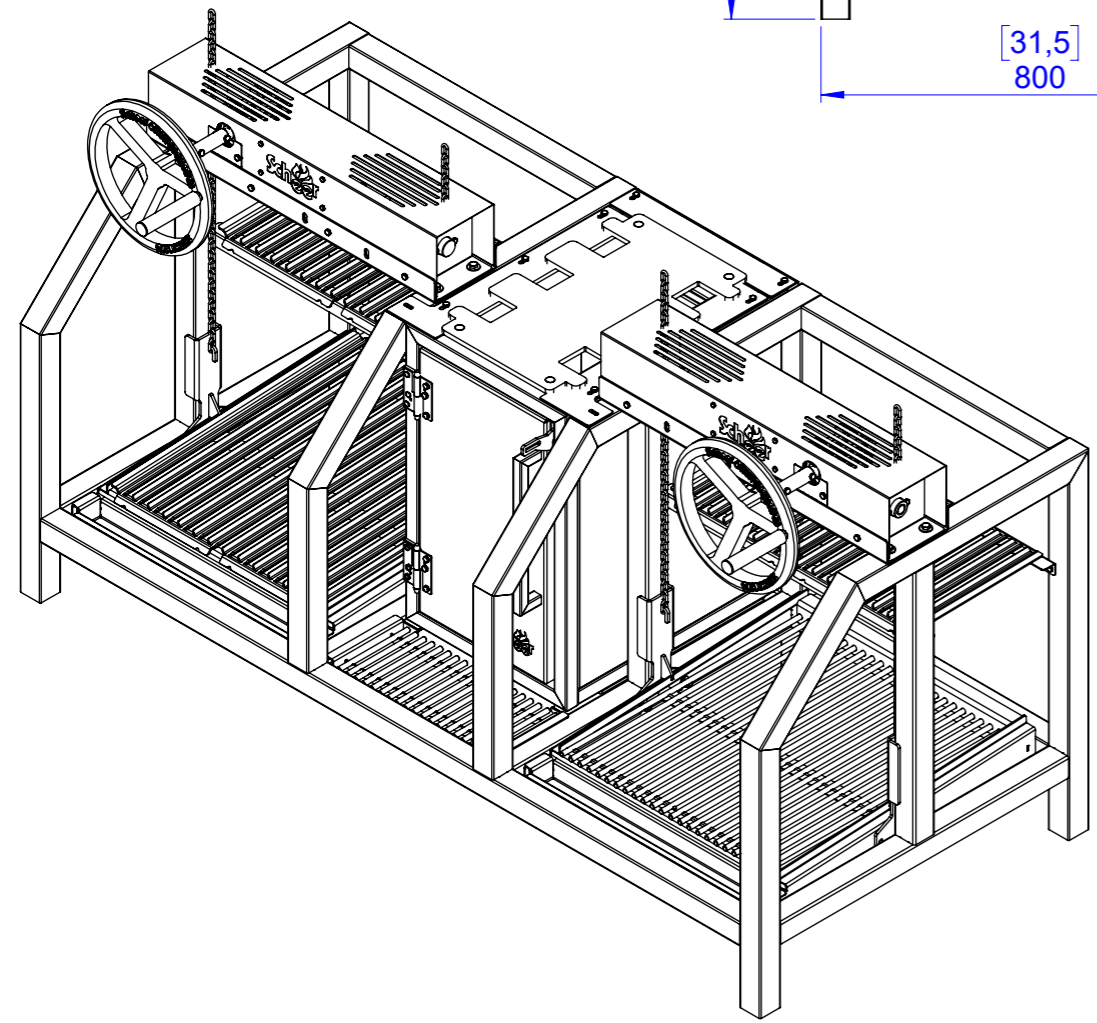
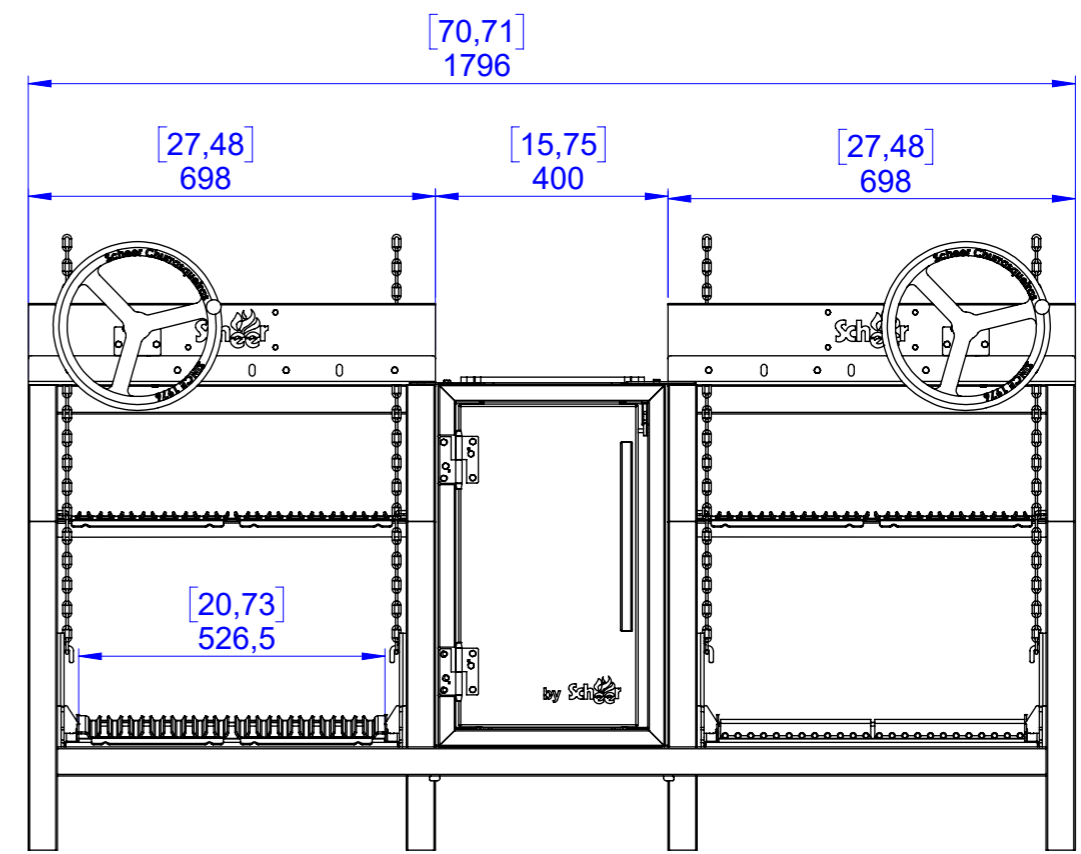
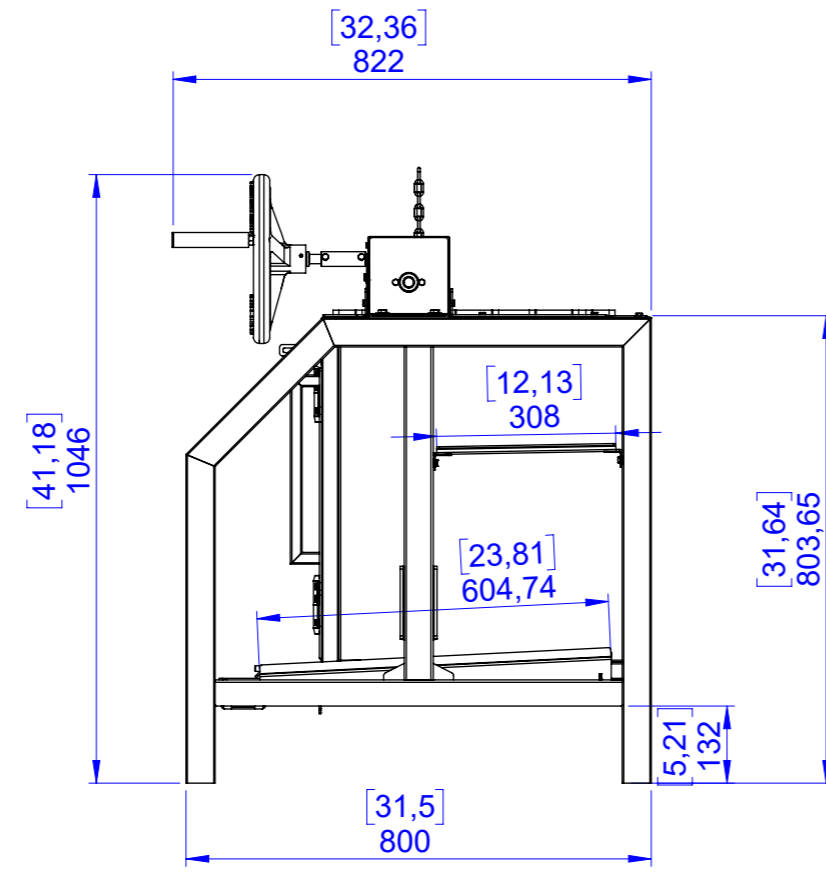


Alteration:

Responsible

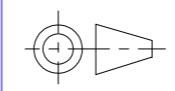
Date:



Item:

Code: 031016.000

Description: Professional Parrilla Insert 673



Project: **Diego** Date: 21/01/2019
 Details: **Diego** Date: 27/06/2023
 Approved: **Michael Gerard** Date: 6/27/23
 Sc: 1:13

Material: -
 Quantity: 0 Weight: 569 Lbs Gross Weight: -
 A3
 SolidWorks