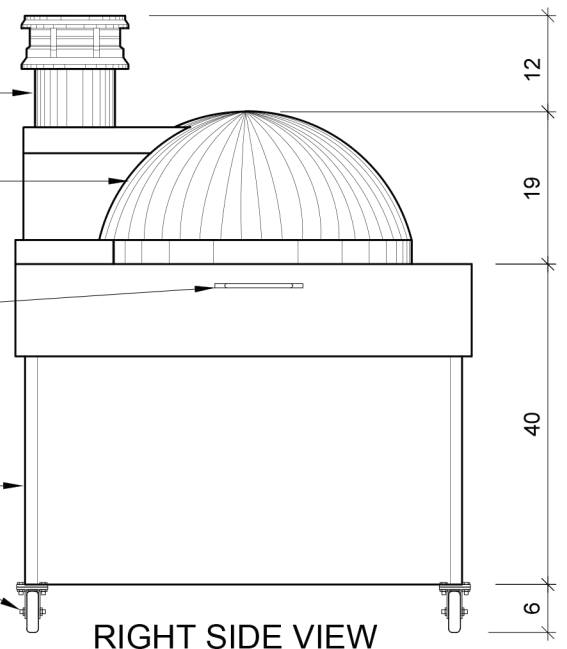
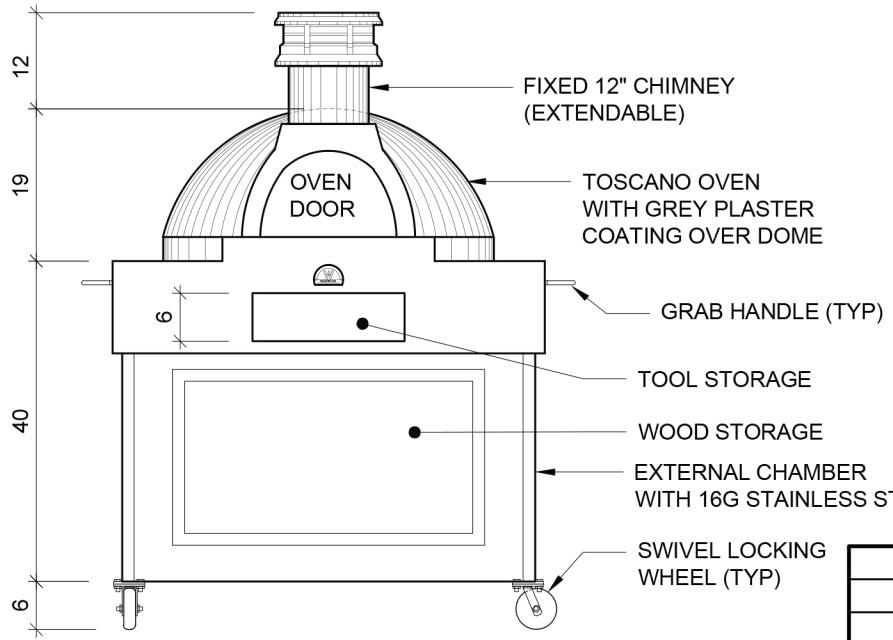


**TOP VIEW**



**RIGHT SIDE VIEW**



**FRONT VIEW**



**3D VIEW**

- FIXED 12" CHIMNEY (EXTENDABLE)
- TOSCANO OVEN WITH GREY PLASTER COATING OVER DOME
- GRAB HANDLE
- FIXED 12" CHIMNEY (EXTENDABLE)
- EXTERNAL CHAMBER WITH 16G STAINLESS STEEL
- SWIVEL LOCKING WHEEL

- FIXED 12" CHIMNEY (EXTENDABLE)
- TOSCANO OVEN WITH GREY PLASTER COATING OVER DOME
- OVEN DOOR
- GRAB HANDLE (TYP)
- TOOL STORAGE
- WOOD STORAGE
- EXTERNAL CHAMBER WITH 16G STAINLESS STEEL
- SWIVEL LOCKING WHEEL (TYP)

NOTE : DIMENSION UNIT ARE IN INCHES.

**PROPRIETARY AND CONFIDENTIAL**  
 THE INFORMATION CONTAINED IN THIS DRAWING IS THE SOLE PROPERTY OF WILDWOOD. ANY REPRODUCTION IN PART OR AS A WHOLE WITHOUT THE WRITTEN PERMISSION OF WILDWOOD IS PROHIBITED.

		UNLESS OTHERWISE SPECIFIED:	NAME	DATE	<b>WILDWOOD</b> <small>WILDFIRE KITCHENS LLC</small>	
		DIMENSIONS ARE IN INCHES	DRAWN	APJ		08-25-2018
		TOLERANCES:	CHECKED			TITLE:
		FRACTIONAL ±	ENG APPR.			<b>TUSCANO CATERING OVEN</b>
		ANGULAR: MATCH ± BEND ±	MFG APPR.			CLIENT: HYATT REGENCY GRAND CYPRESS
		TWO PLACE DECIMAL ±				SIZE DWG. NO.
		THREE PLACE DECIMAL ±				REV
		INTERPRET GEOMETRIC TOLERANCING PER:	Q.A.			01
		MATERIAL:	COMMENTS			SCALE: 1/2"=1'
		Stainless Steel				WEIGHT:
NEXT ASSY	USED ON	FINISH				SHEET 1 OF 1
APPLICATION		DO NOT SCALE DRAWING				