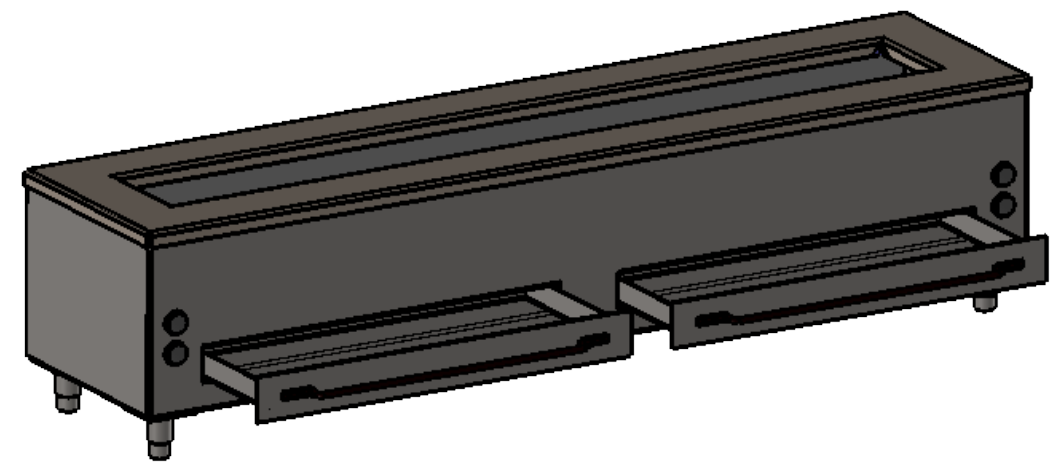
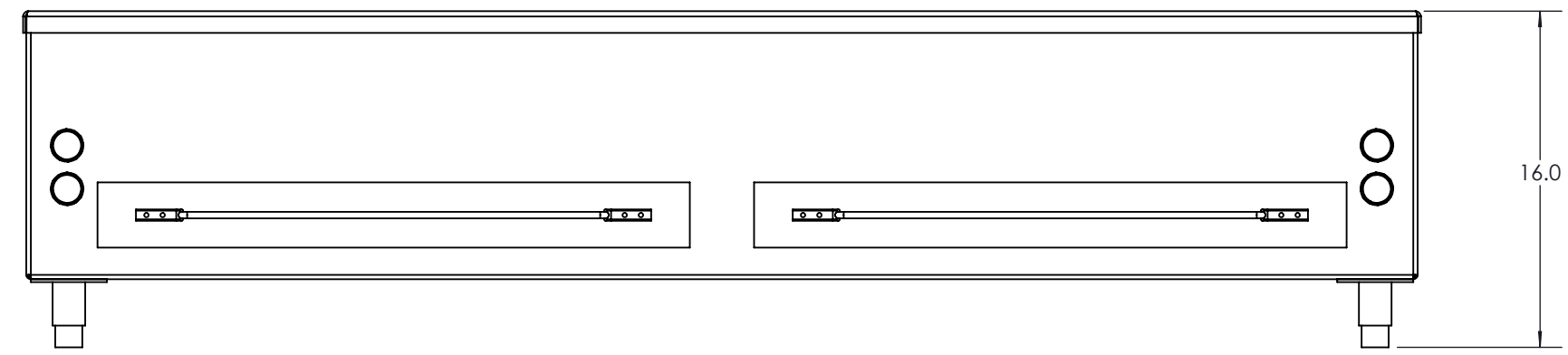
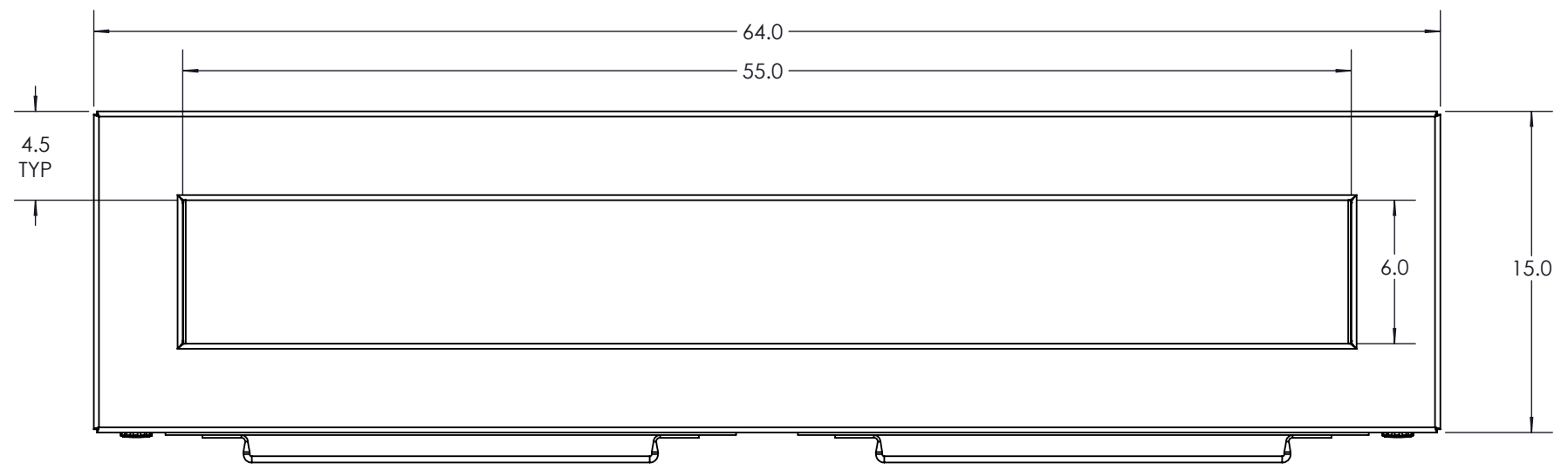


4

3

2

1



Notes:
 1. Dimension units are inches.

PROPRIETARY AND CONFIDENTIAL
 THE INFORMATION CONTAINED IN THIS DRAWING IS THE SOLE PROPERTY OF <INSERT COMPANY NAME HERE>. ANY REPRODUCTION IN PART OR AS A WHOLE WITHOUT THE WRITTEN PERMISSION OF <INSERT COMPANY NAME HERE> IS PROHIBITED.

		UNLESS OTHERWISE SPECIFIED:		NAME	DATE	WILDWOOD		
		DIMENSIONS ARE IN INCHES TOLERANCES: FRACTIONAL ± ANGULAR: MACH ± BEND ± TWO PLACE DECIMAL ± THREE PLACE DECIMAL ±		DRAWN				TITLE:
		INTERPRET GEOMETRIC TOLERANCING PER:		CHECKED		YAK 64 CUSTOM		
		MATERIAL Stainless Steel		ENG APPR.				
		FINISH		MFG APPR.		SIZE	DWG. NO.	REV
NEXT ASSY	USED ON			Q.A.		B	YAK 64 PRELIMINARY	
APPLICATION		DO NOT SCALE DRAWING		COMMENTS:		SCALE: 1:12	WEIGHT:	SHEET 1 OF 1

4

3

2

1

A

A

B

B