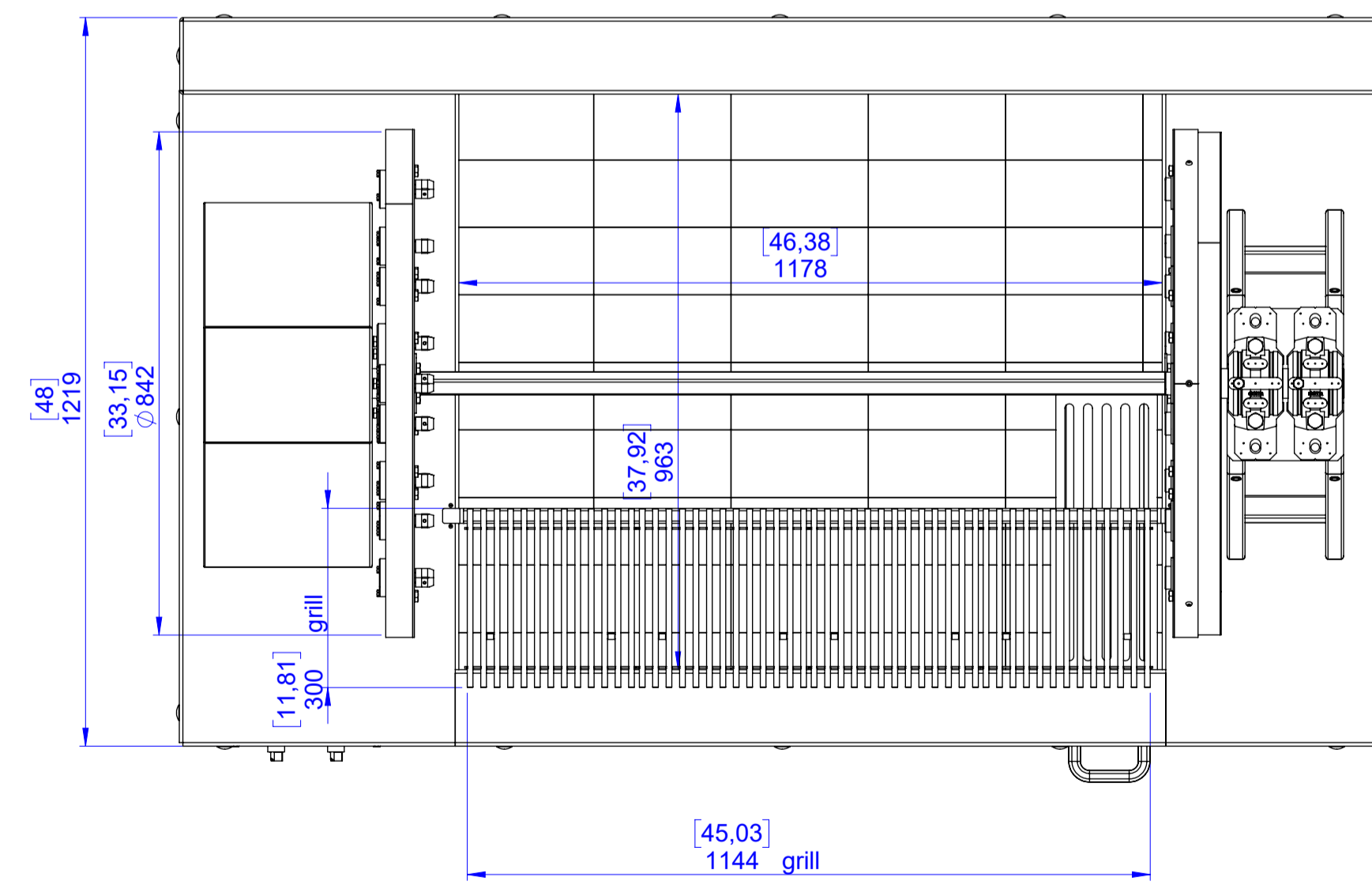
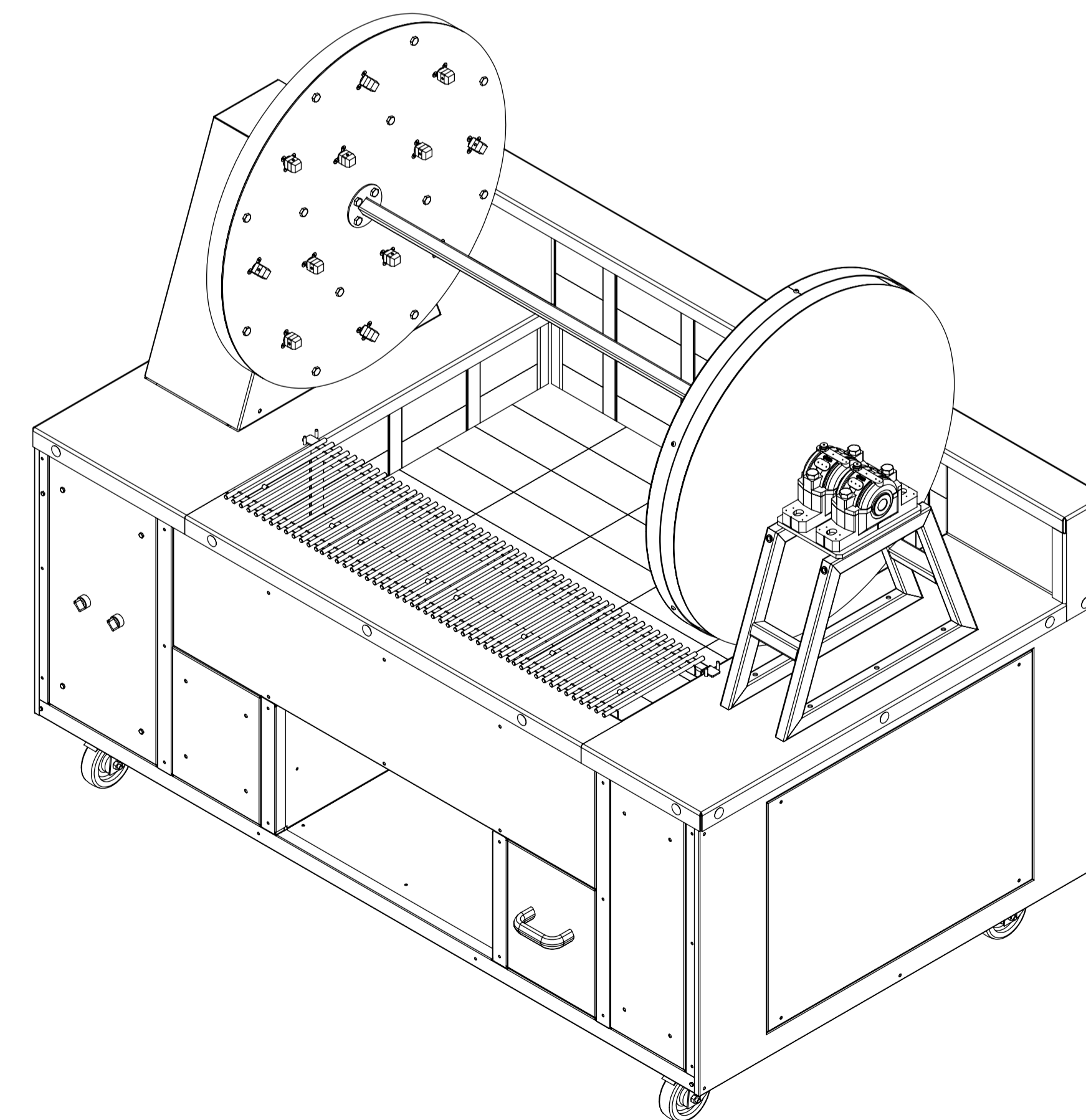
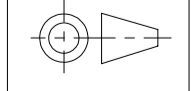



SECTION F-F



Item:	Scale 011501.000	
		Whole Animal Roaster
		Material Type 304 Stainless Steel
Project: MGM	Date: 04/02/2013	Material:
Details: Felipe	Date: 14/03/2019	
Aproved: e	Date:	
Esc.: A10	Quantidade: 0	Peso(Kg): 976.03
		Peso Bruto(Kg):