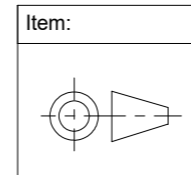
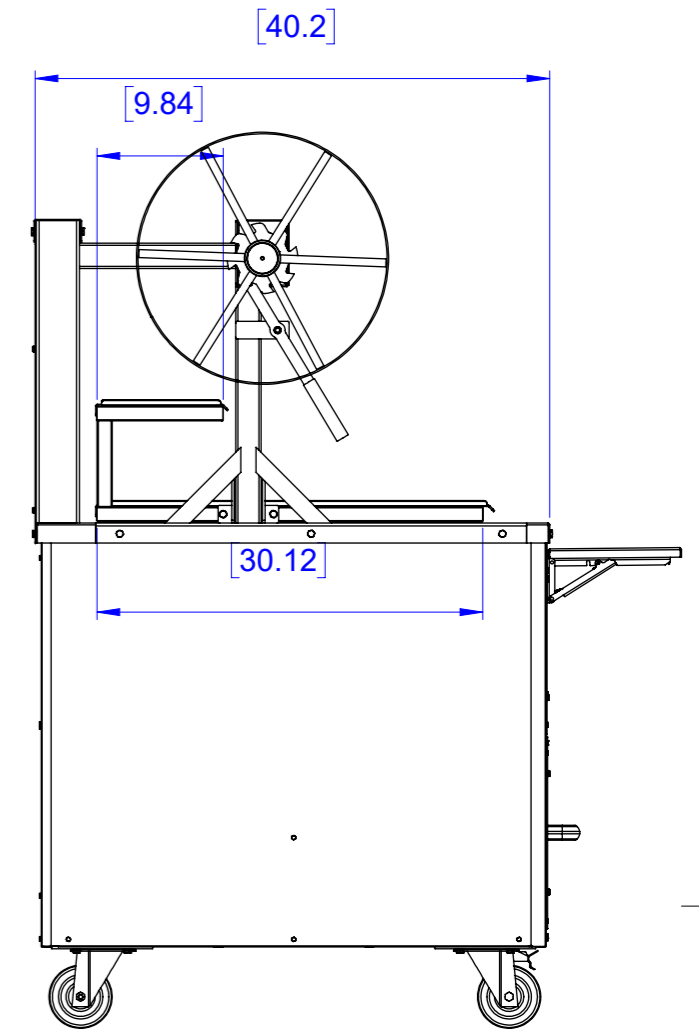
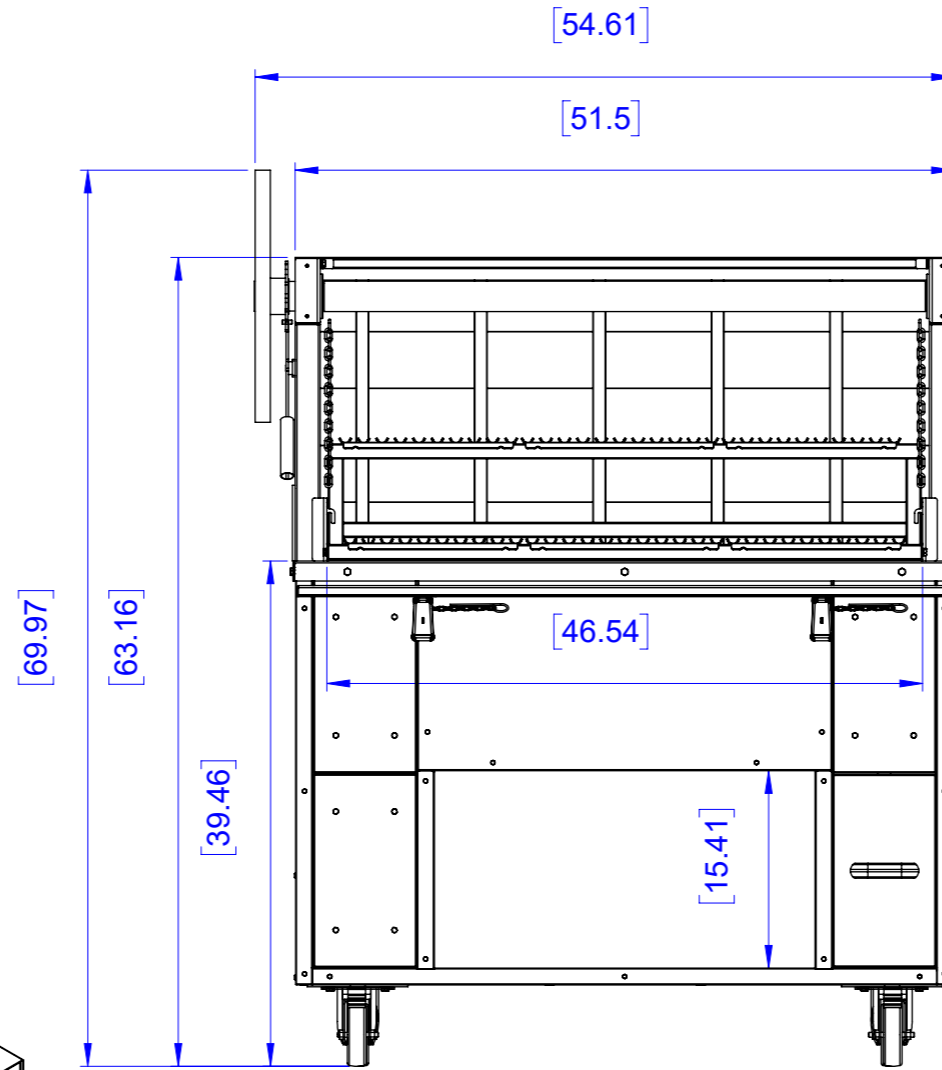
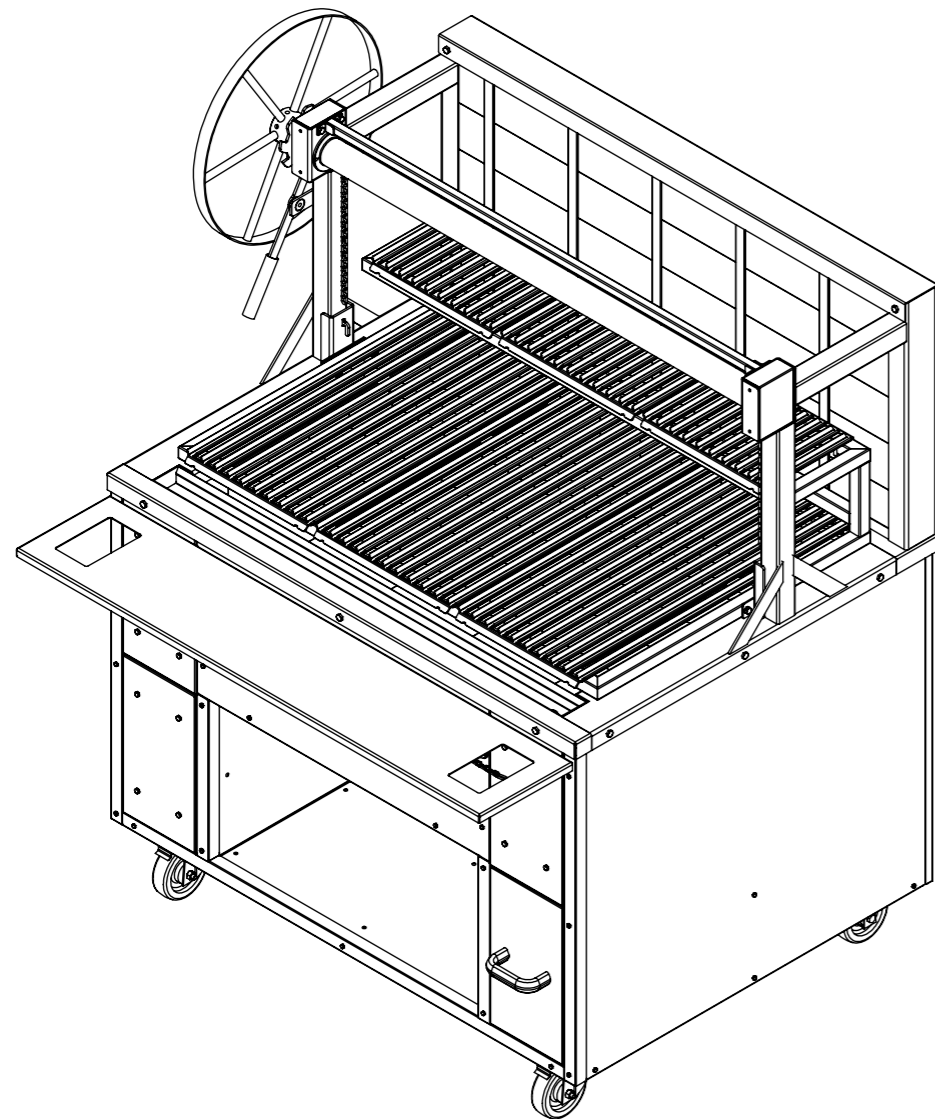


Alteration

Responsible:

Date:



Item:	Code: <b>BBQ-SM-50"</b>	
	Description: <b>Santa Maria Grill 50"</b>	
Project: <b>Diego</b>	Date: <b>02/05/2018</b>	Material: <b>-</b>
Details: <b>Diego</b>	Date: <b>15/09/2022</b>	
Approved <b>MG</b>	Date:	Quantity : <b>0</b> Weight <b>1232</b>
Sc <b>1:15</b>		
		<b>A3</b> SolidWorks