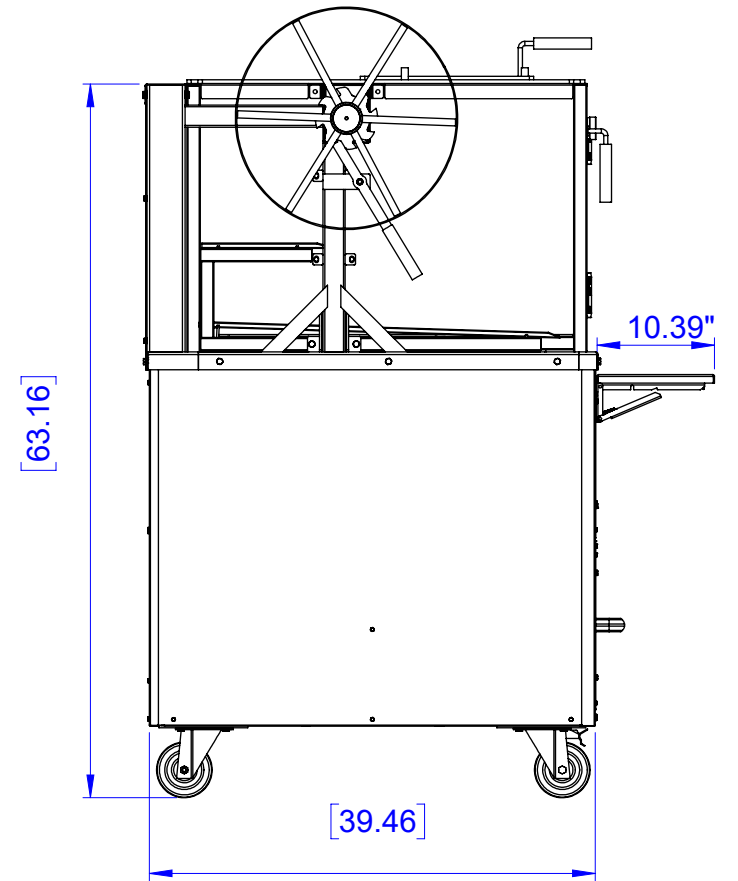
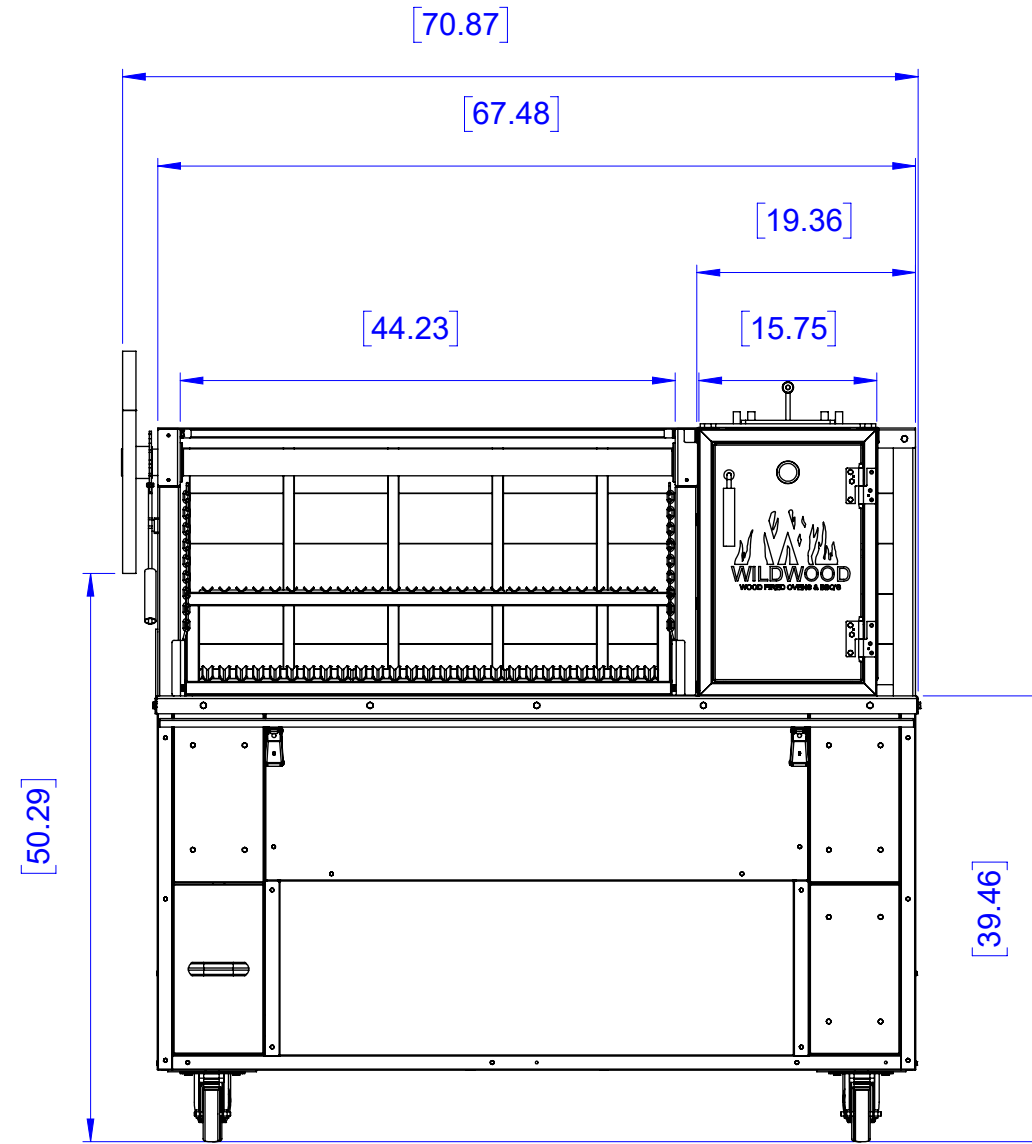
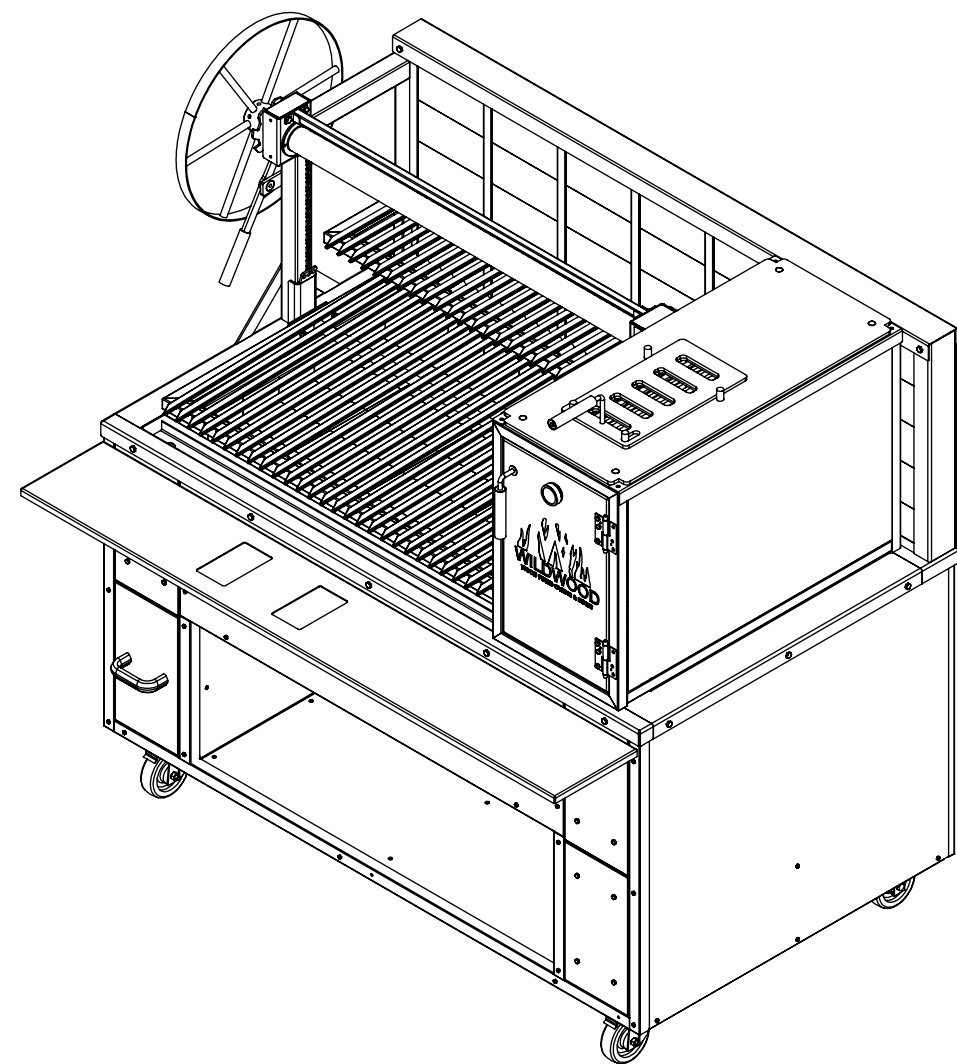


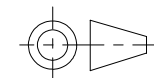
Alterations:

Responsible:

Date:



Item:



Code: 029064.000

Description: Santa Maria Grill 70" + Brasero / Smoker / Oven



Project Leo

Date: 02/05/2018

Material Type: 304 Stainless Steel

Details Leo

Date: 25/08/2021

Approved

Date:

Sc: 1:17

Weight 1823 Lbs

A3

SolidWorks