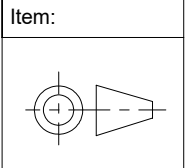
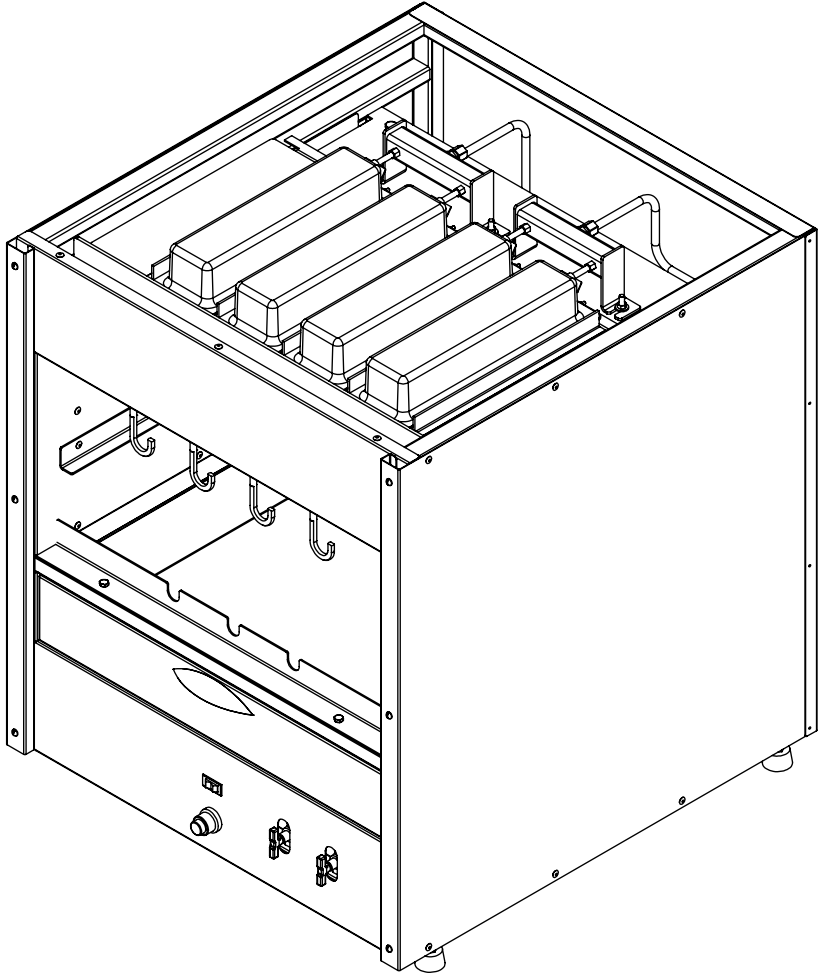
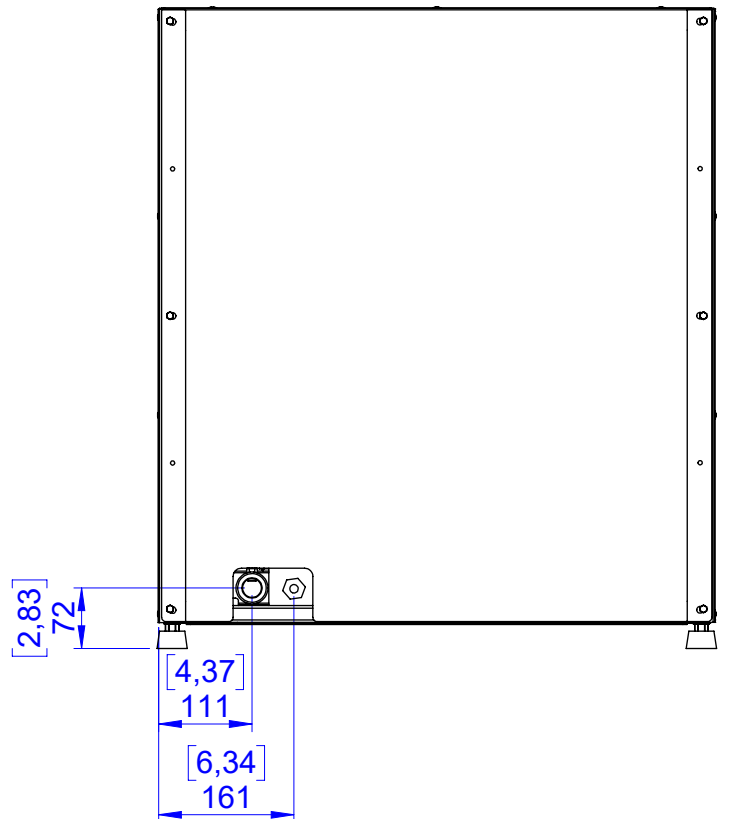
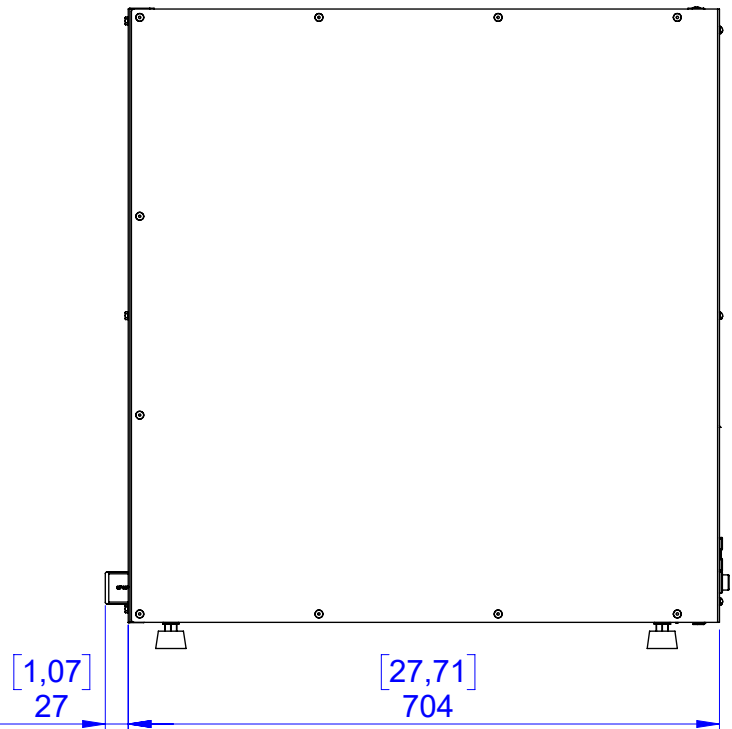
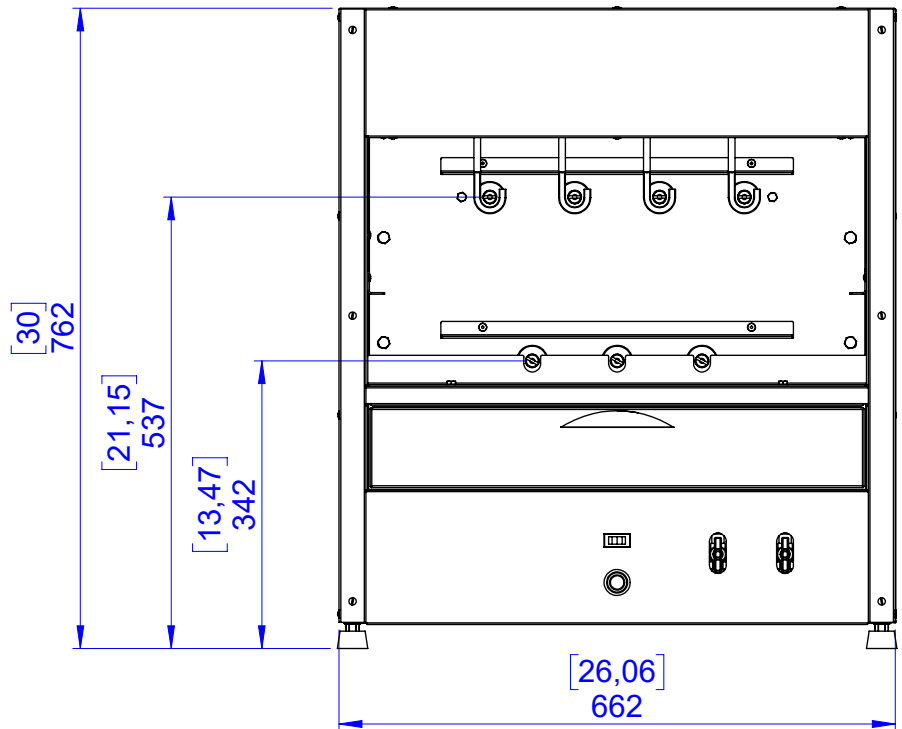


Alteration

Responsible:

Date:



Code: 030756.000  
 Description RG 300 2G 7 Skw SS -304

Project Ben Date: 14/09/2013  
 Details Ben Date 03/12/2021  
 Approved MG Date:  
 Sc: 1:9

Material Type Stainless Steel  
 Material:  
 Quantity 0 Weight Lbs 164 Gross Weight

A3  
 SolidWorks