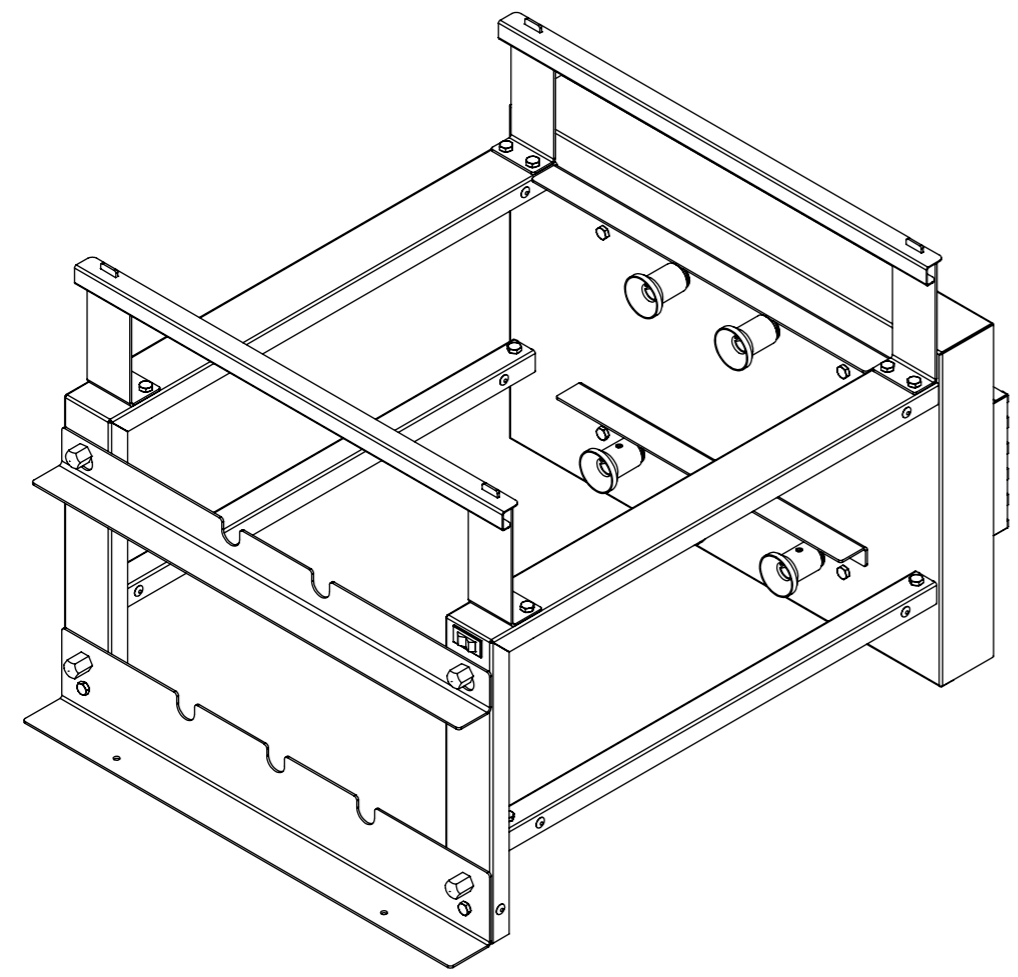
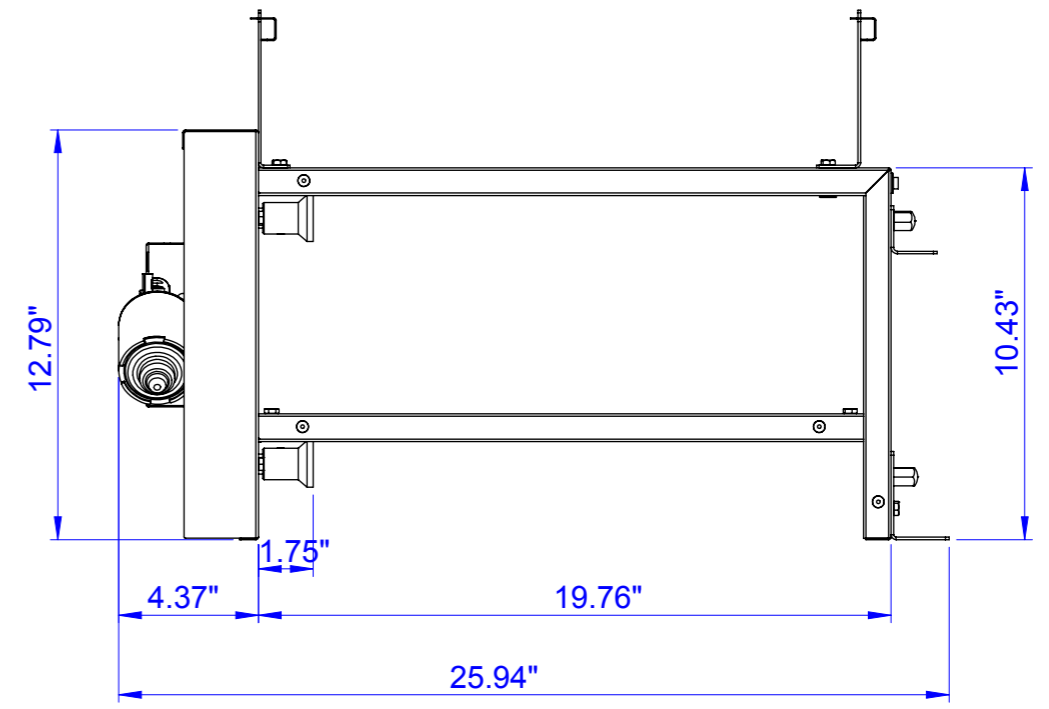
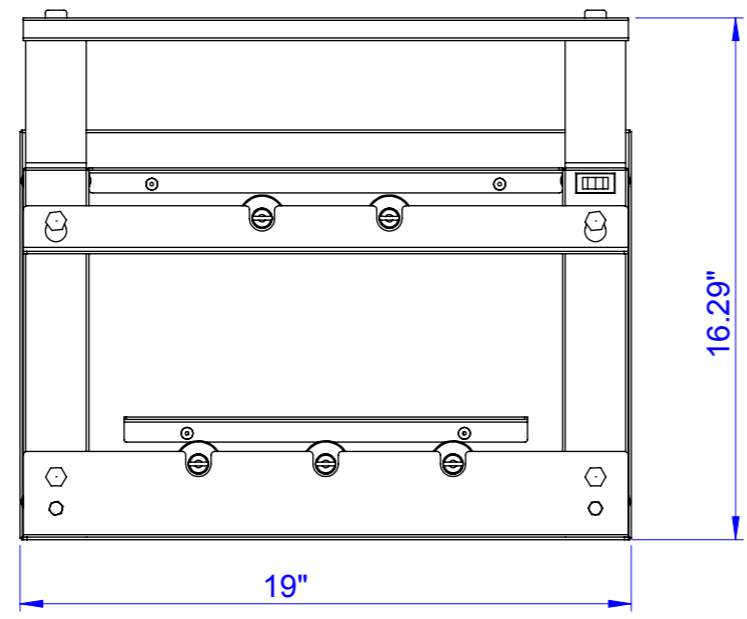
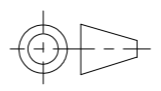



Alterations	Responsible	Date:
-------------	-------------	-------



Item:	Code: 000554.200		
 	Description: RC - 5 Skewer		
	Project: Felipe	Date: 28/05/2015	Material: Stainless Steel 430
Details: Felipe	Date: 17/04/2018		A3 SolidWorks
Approved: MG	Date:		
Sc.: 1:6	Quantity: 0	Net Weight: 34 Lbs	Gross Weight