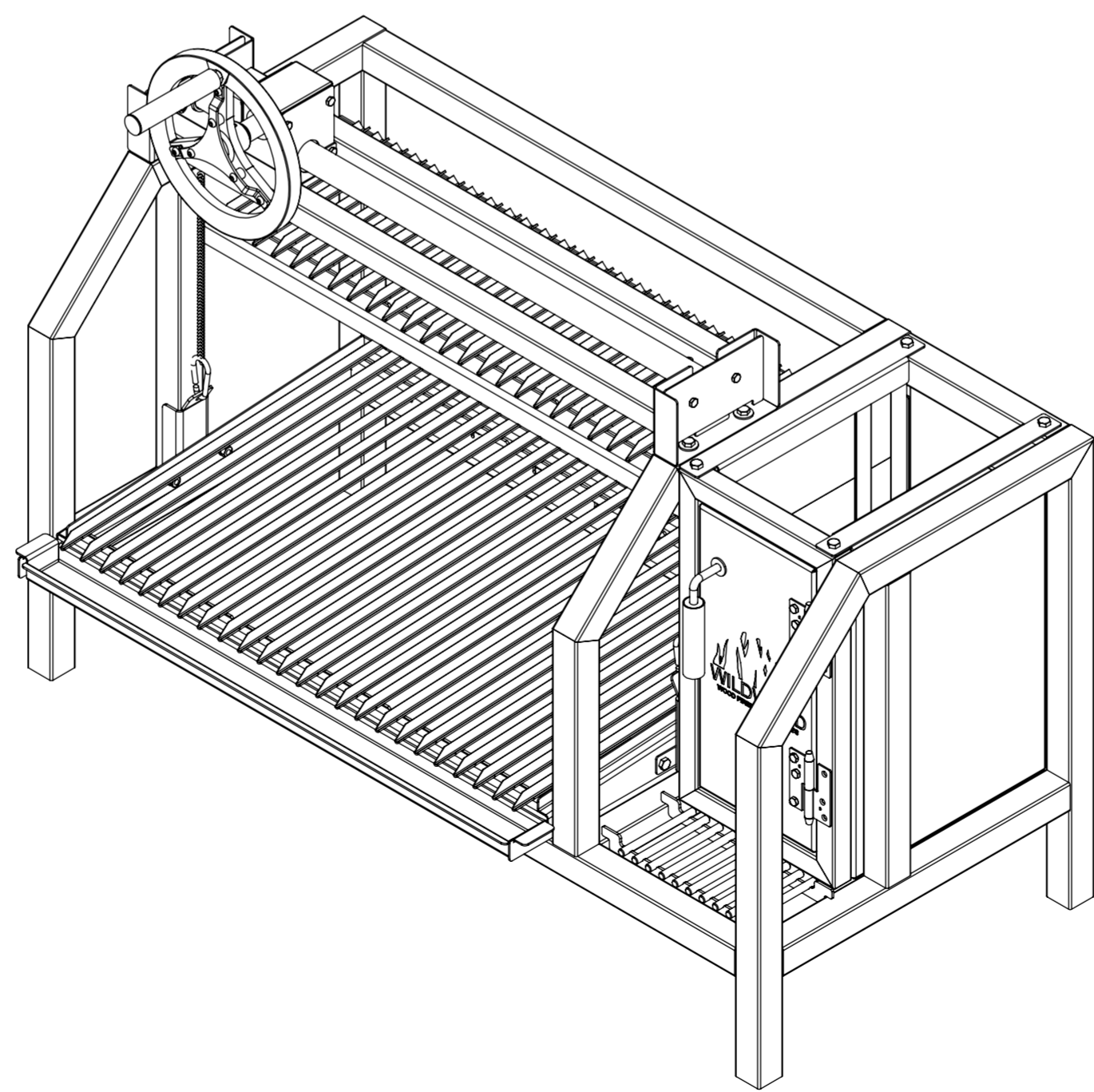
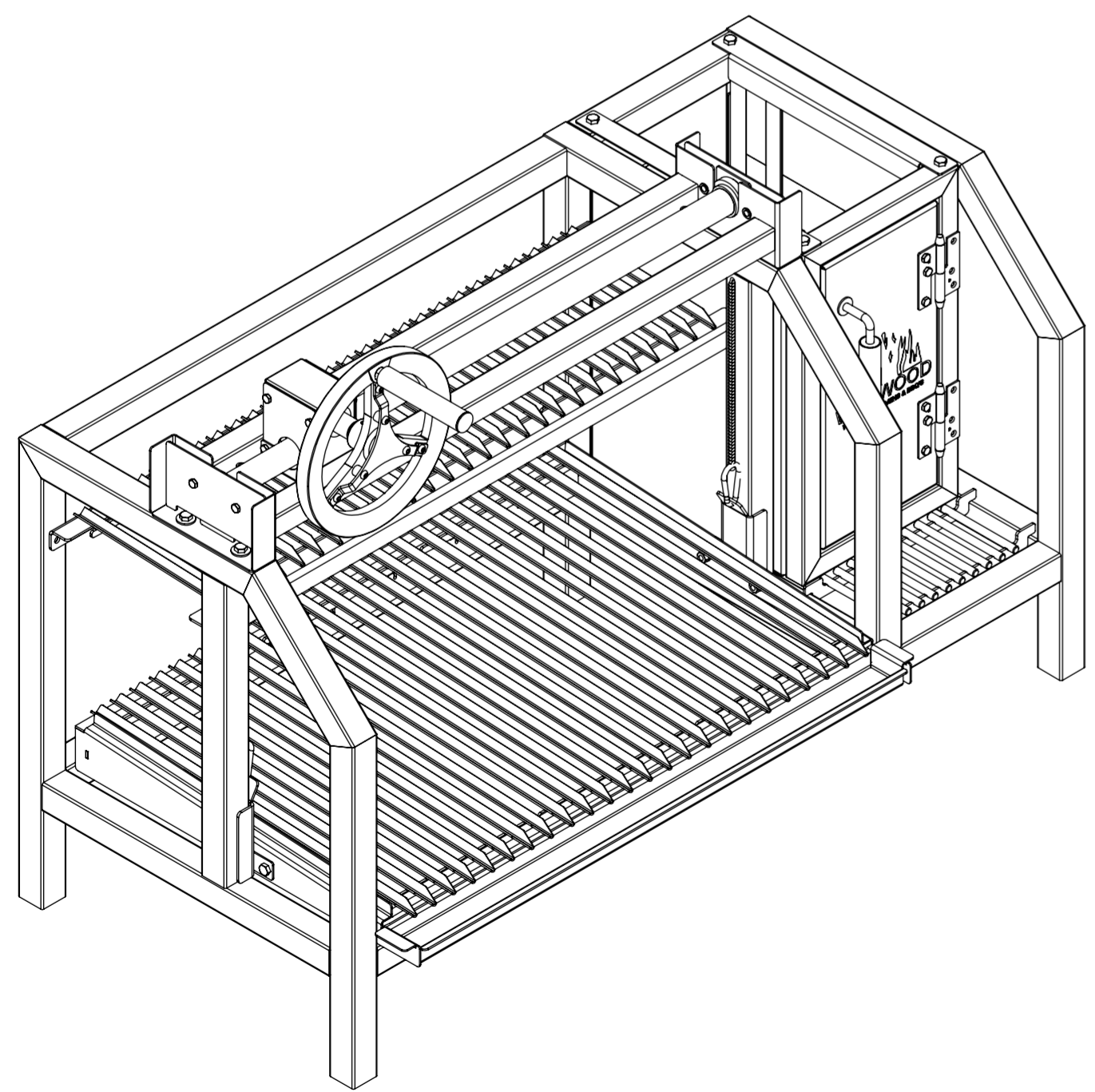
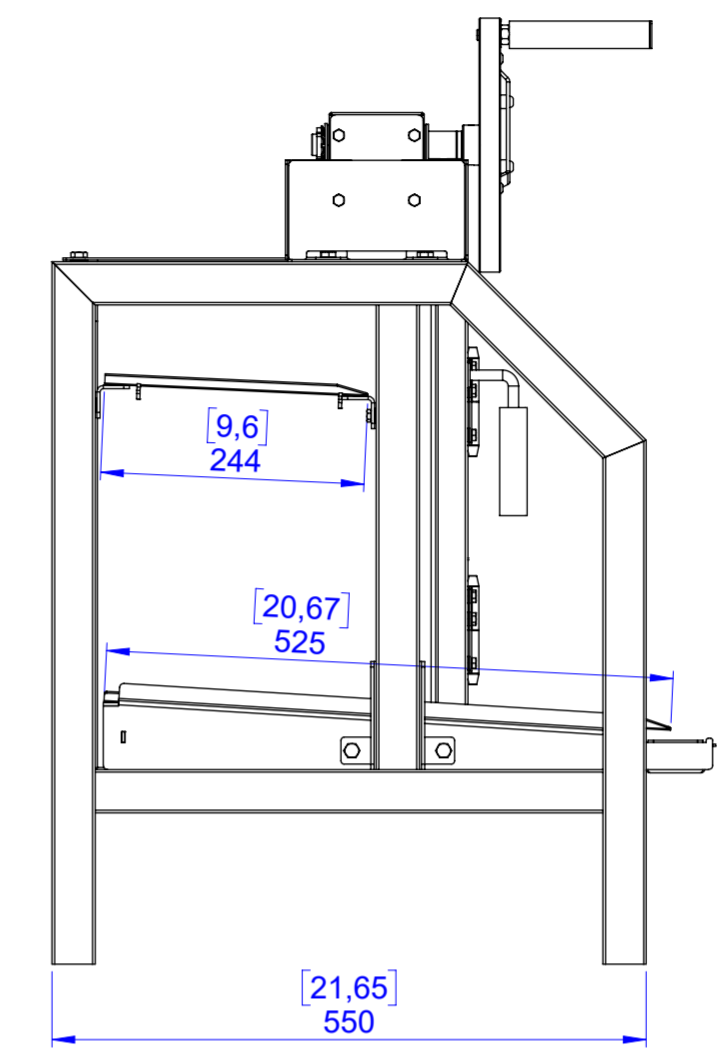
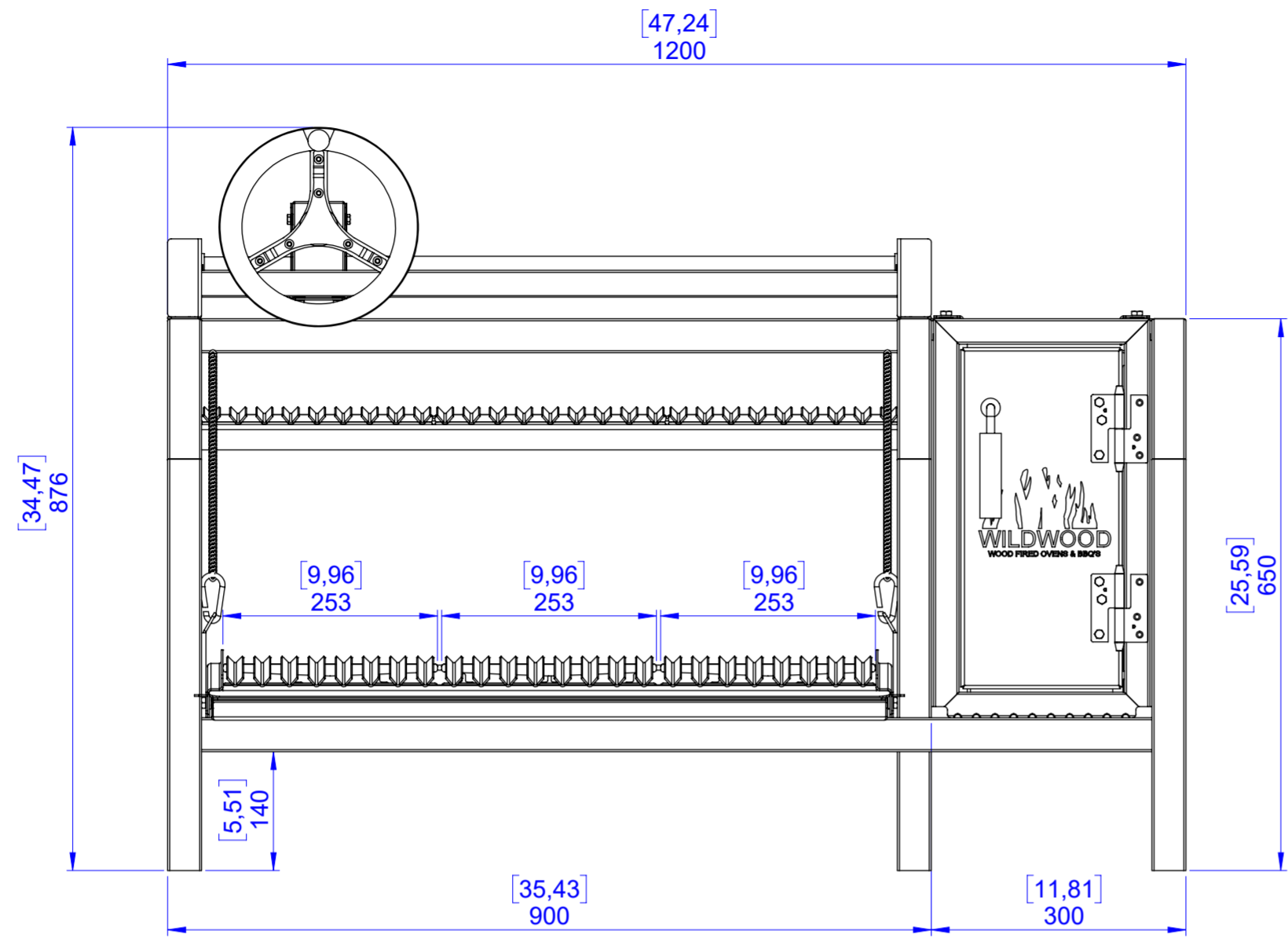



Alteration	Responsible	Date
------------	-------------	------



Item:	Code 025733.400			
	Description PARRILLA M 902- 47" with Brasseiro			
 WILDWOOD <small>WOOD FIRE OVEN & BBQ</small>	Project Leonard	Date: 21/01/2019	Material Type 304 Stainless Steel	
	Details: Leonard	Date: 19/01/2021		Material:
	Approved MG	Date:		
	Esc.: 1:7			
Parrilla M 902 47"		Quantity 0	Weight 171 Lbs	Gross Weight

A2
SolidWorks