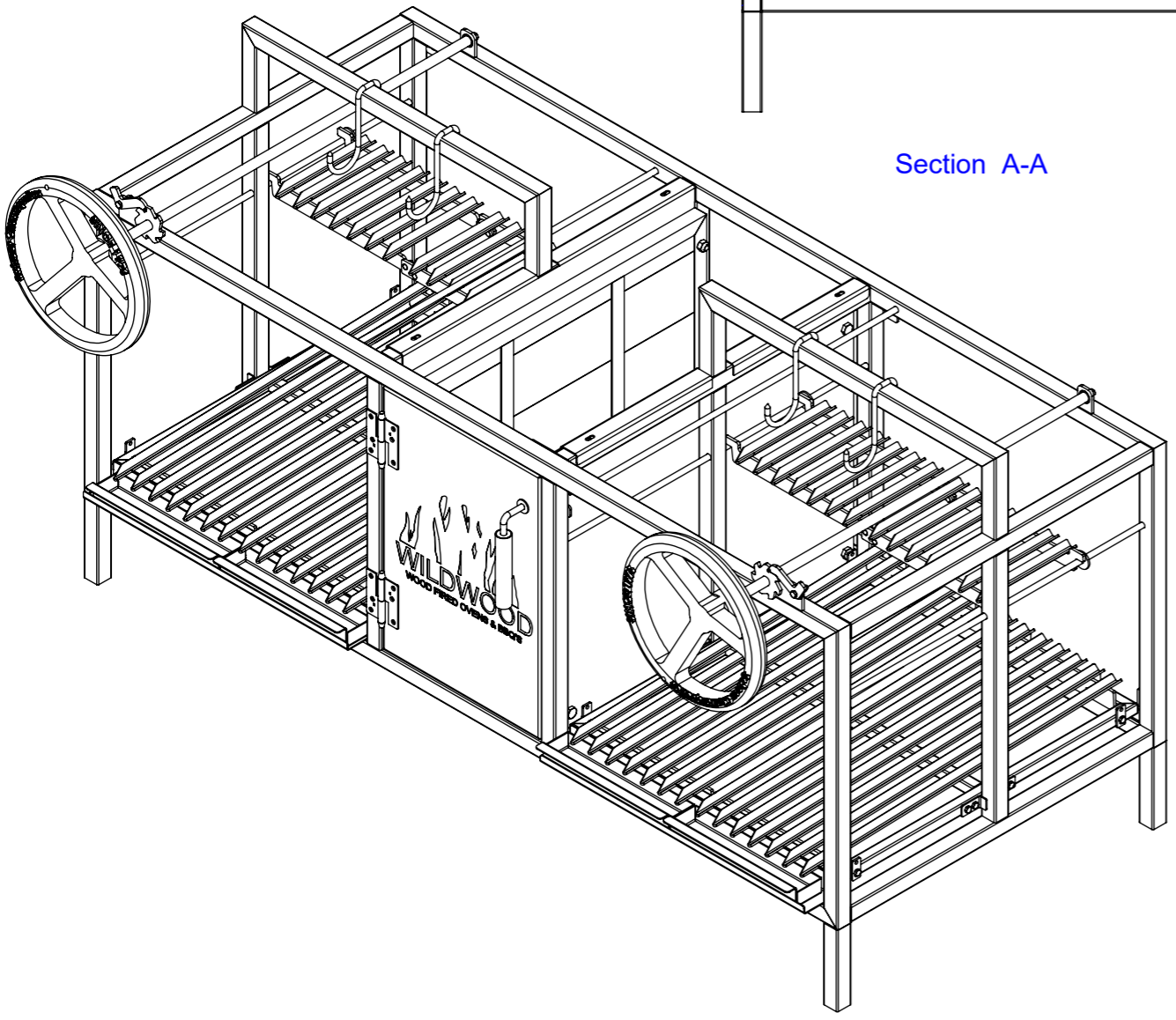
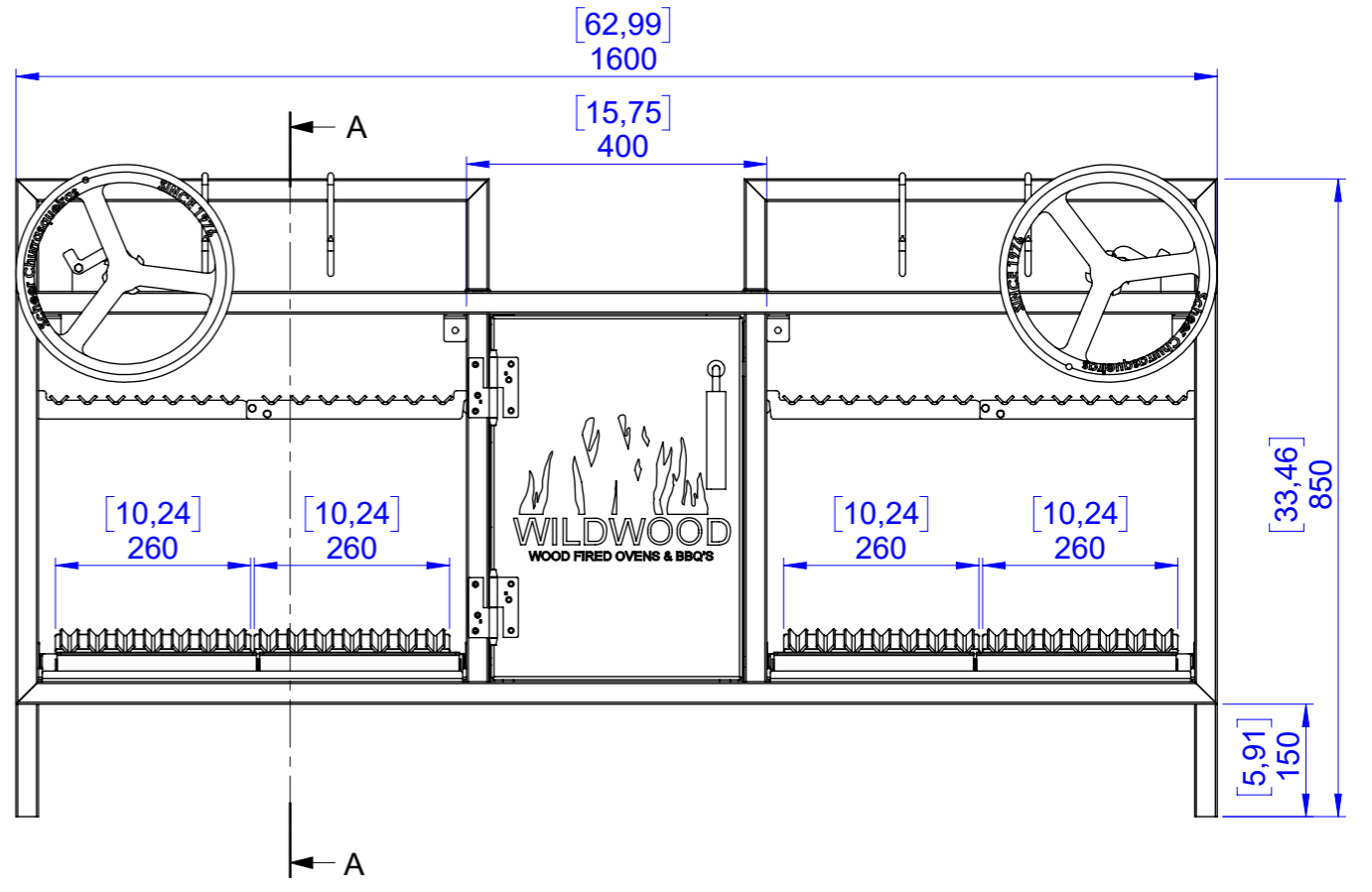



Section A-A



Item:	Code: 025733.100	
	Description: PARRILLA 672 1600 + BRASEIRO 400	
	Project: Leonard	Date: 22/11/2018
	Details: Leonard	Date: 13/01/2021
Approved MG	Date:	Material Typel: Material: -
Sc.: 1:10	Quantity: 0	Net Weight: 294 Lbs
		Gross Weight:

A3
SolidWorks