

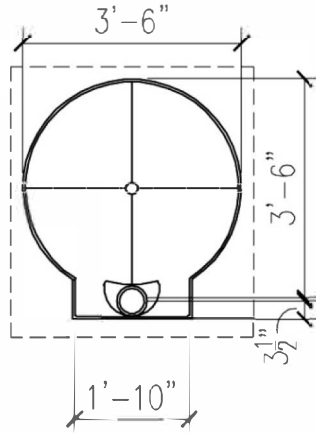


Milano - Precast Wood Fired Oven



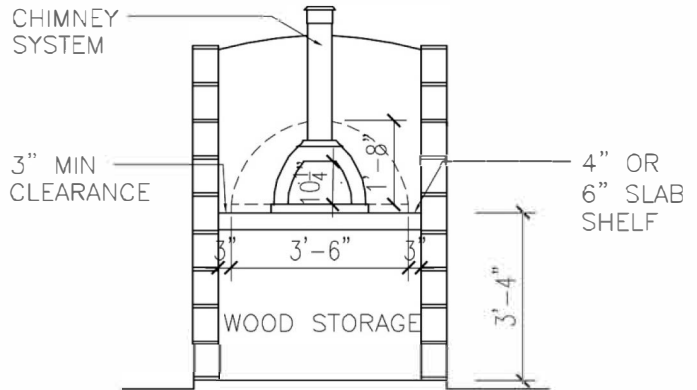
Dimensions

Internal Height:	17"
External Height:	20"
Internal Diameter:	33"
External Diameter:	42"
Mouth Height:	10.25"
Mouth Width:	16.5"
Weight:	441 lbs



DOME
 EXTERIOR/ 42" DIA
 INTERIOR/ 33" DIA

OPTIONAL SHELF EXTENSION
 VARIES FROM 24"–48"



- Assembles in as little as one hour
- 6 Piece, pre-cast modular kit
- Can reach temperatures in excess of 2000° F
- Made of lightweight modern refractory elements
- Designed to be custom finished to fit any style
- Can be installed indoors or out
- Floor NSF Certified Refractory suitable for food