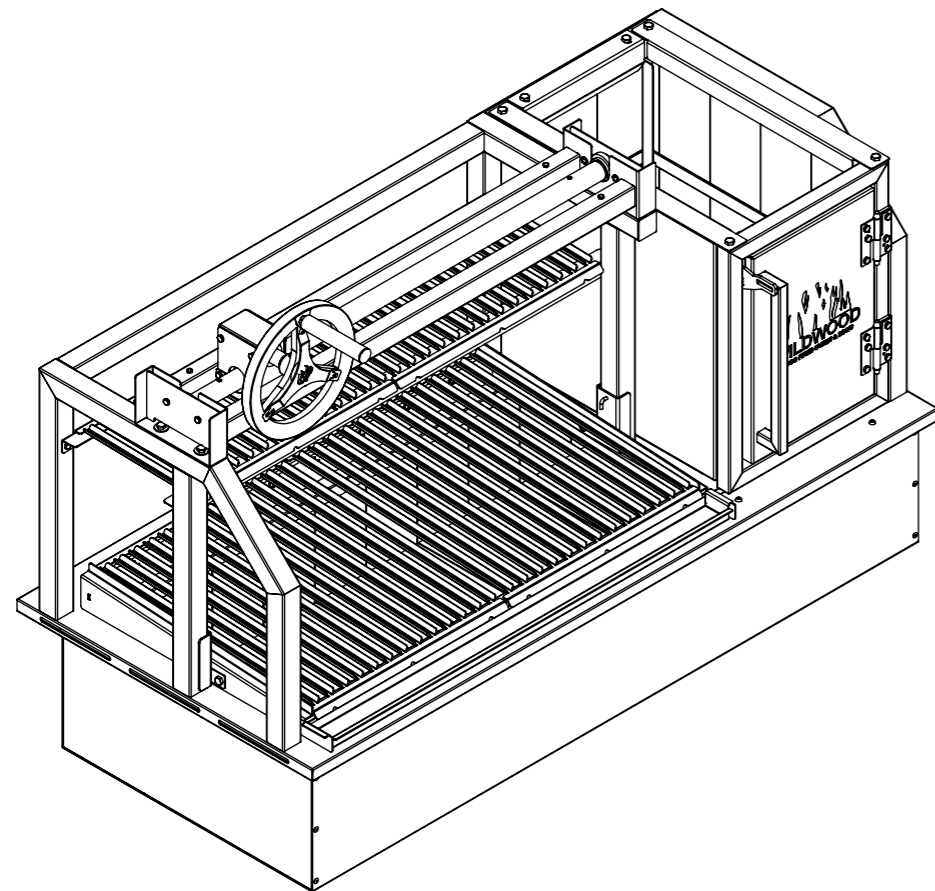
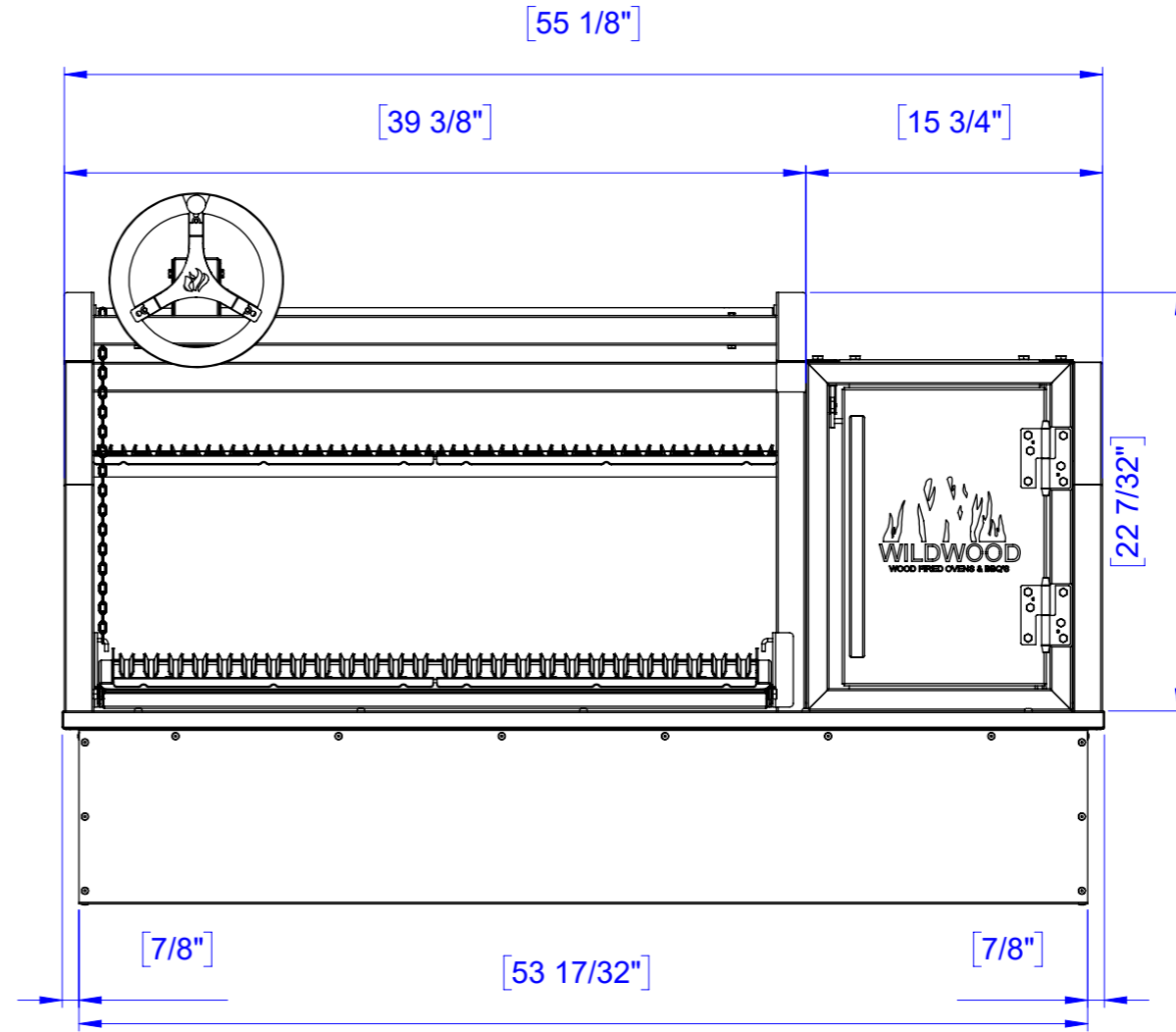
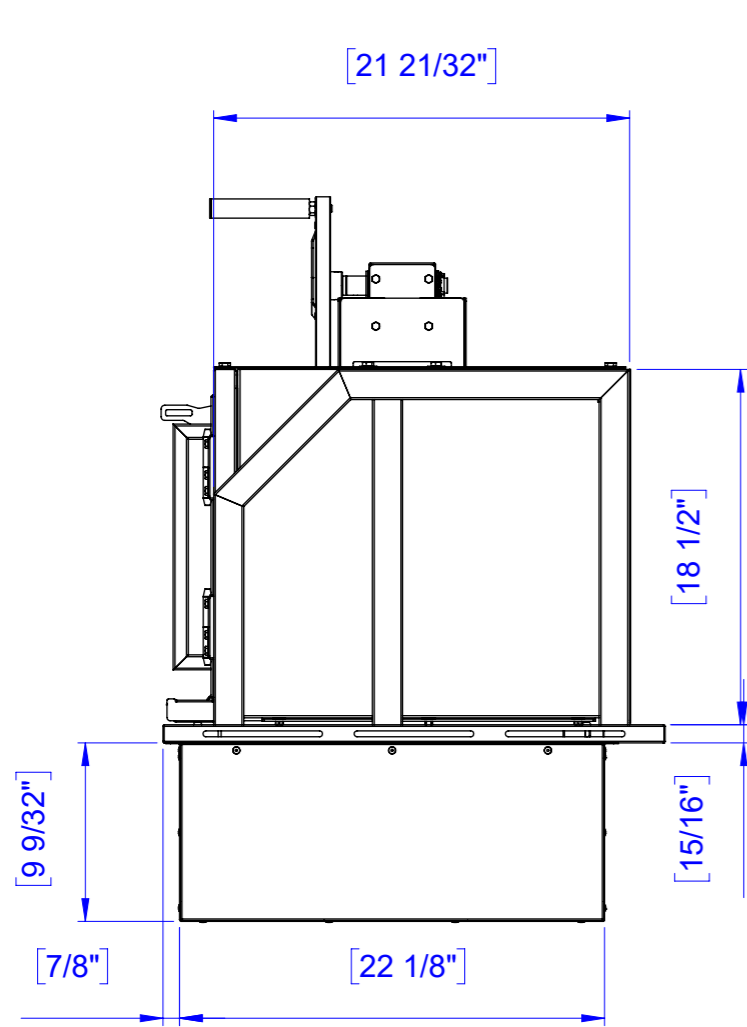


Alteration:

Responsible:

Date:



Item:			Code: 041902.000
			Description: PARRILLA COOKTOP DROP IN 304 SS
	Project: Oscar	Date: 21/01/2019	Material: -
	Details: Oscar	Date: 18/06/2024	
	Approved: Michael G	Date:	
Sc.: 1:10	Quantity: 0	Weight: Lbs 402	
			A3 SolidWorks

engenharia4