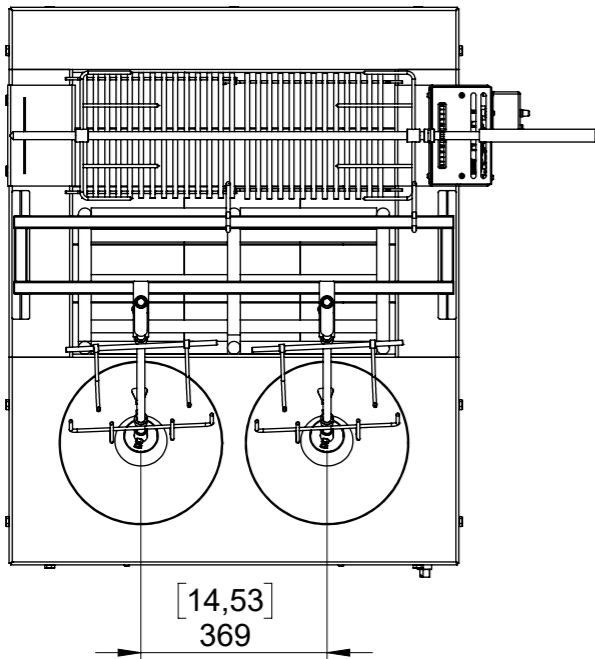
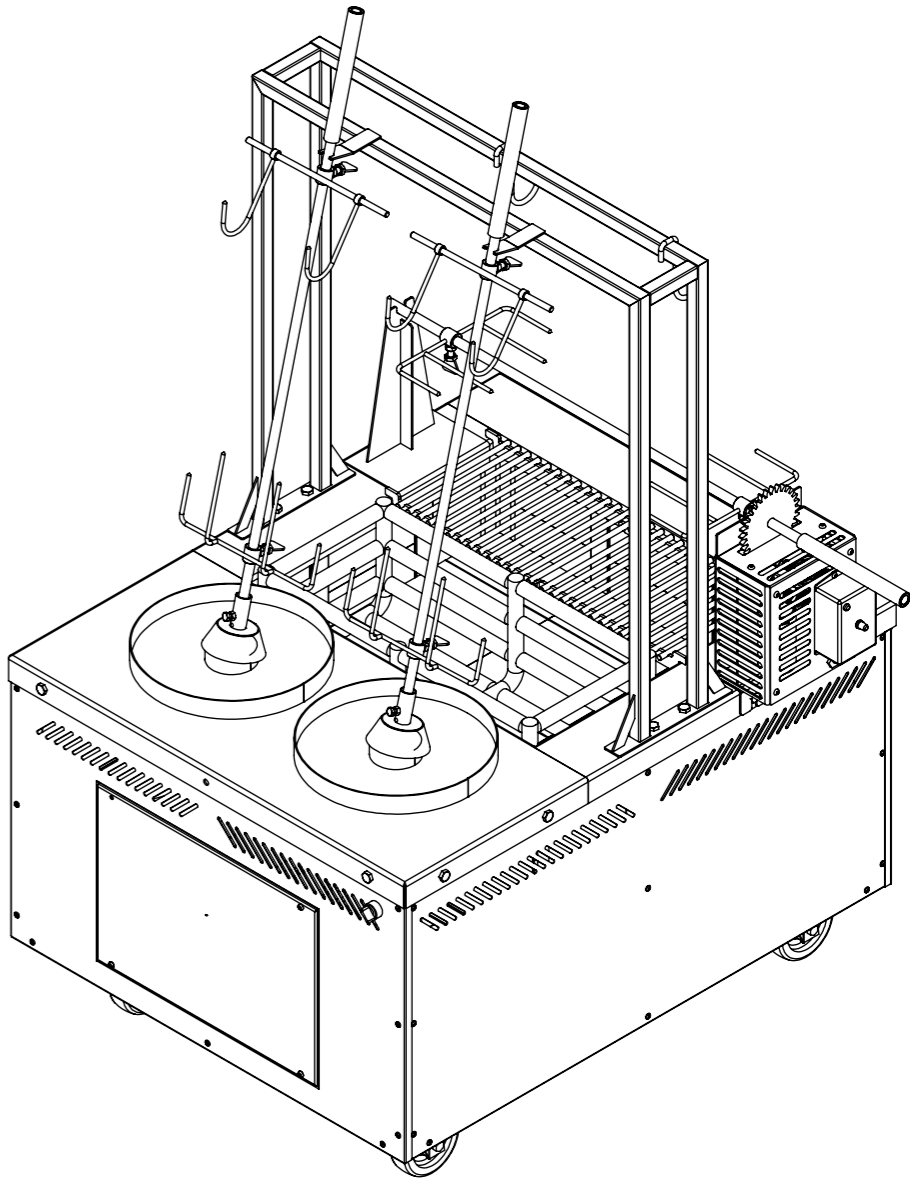
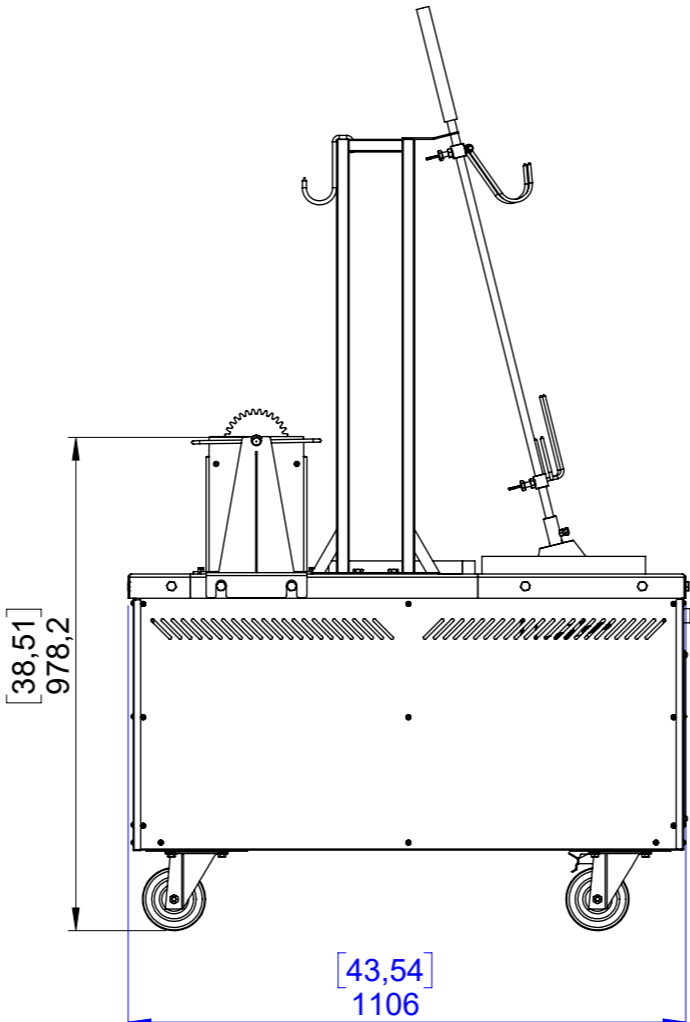
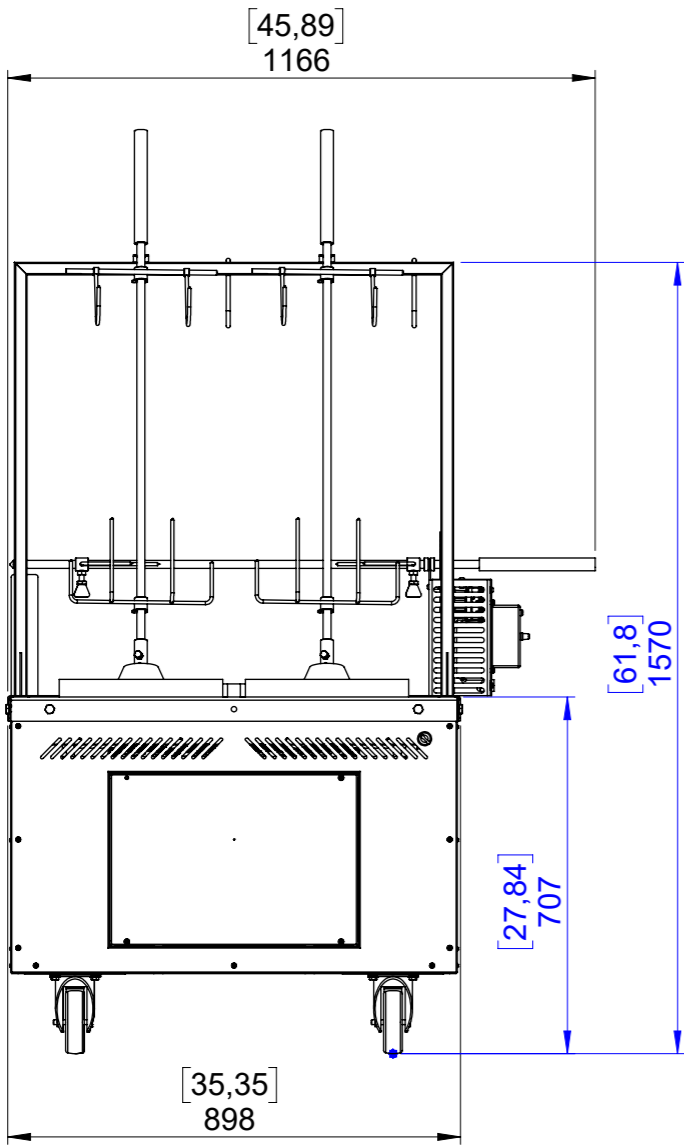
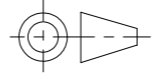



Alteration:

Responsible:

Date:



Item: 	A Tabela Administrativa para Intervalo de Dimensões Baseado em mm Componentes em milímetros de tamanho de estoque										Code 028172.000																																																																																																																																																															
	<table border="1"> <thead> <tr> <th>Classe</th> <th>Dx</th> <th>Acima</th> <th>Acima</th> <th>Acima</th> <th>Acima</th> <th>Acima</th> <th>Acima</th> <th>Acima</th> <th>Acima</th> <th>Acima</th> <th>Classe</th> <th>Acima</th> <th>Acima</th> <th>Acima</th> <th>Acima</th> </tr> </thead> <tbody> <tr> <td>Interferência</td> <td>2,0</td> <td>4x2</td> <td>4x5</td> <td>4x 10</td> <td>4x 15</td> <td>4x 20</td> <td>4x 25</td> <td>4x 30</td> <td>4x 35</td> <td>4x 40</td> <td>Interferência</td> <td>4x 50</td> <td>4x 55</td> <td>4x 60</td> <td>4x 65</td> </tr> <tr> <td>Desvio</td> <td>3</td> <td>4x4</td> <td>4x 5</td> <td>4x 10</td> <td>4x 15</td> <td>4x 20</td> <td>4x 25</td> <td>4x 30</td> <td>4x 35</td> <td>4x 40</td> <td>Desvio</td> <td>4x 50</td> <td>4x 55</td> <td>4x 60</td> <td>4x 65</td> </tr> <tr> <td>Foro</td> <td>4x 25</td> <td>4x 30</td> <td>4x 35</td> <td>4x 40</td> <td>4x 45</td> <td>4x 50</td> <td>4x 55</td> <td>4x 60</td> <td>4x 65</td> <td>4x 70</td> <td>Foro</td> <td>4x 75</td> <td>4x 80</td> <td>4x 85</td> <td>4x 90</td> </tr> <tr> <td>Foro</td> <td>4x 10</td> <td>4x 15</td> <td>4x 20</td> <td>4x 25</td> <td>4x 30</td> <td>4x 35</td> <td>4x 40</td> <td>4x 45</td> <td>4x 50</td> <td>4x 55</td> <td>Foro</td> <td>4x 60</td> <td>4x 65</td> <td>4x 70</td> <td>4x 75</td> </tr> <tr> <td>Foro</td> <td>4x 10</td> <td>4x 15</td> <td>4x 20</td> <td>4x 25</td> <td>4x 30</td> <td>4x 35</td> <td>4x 40</td> <td>4x 45</td> <td>4x 50</td> <td>4x 55</td> <td>Foro</td> <td>4x 60</td> <td>4x 65</td> <td>4x 70</td> <td>4x 75</td> </tr> <tr> <td>Foro</td> <td>4x 10</td> <td>4x 15</td> <td>4x 20</td> <td>4x 25</td> <td>4x 30</td> <td>4x 35</td> <td>4x 40</td> <td>4x 45</td> <td>4x 50</td> <td>4x 55</td> <td>Foro</td> <td>4x 60</td> <td>4x 65</td> <td>4x 70</td> <td>4x 75</td> </tr> <tr> <td>Foro</td> <td>4x 10</td> <td>4x 15</td> <td>4x 20</td> <td>4x 25</td> <td>4x 30</td> <td>4x 35</td> <td>4x 40</td> <td>4x 45</td> <td>4x 50</td> <td>4x 55</td> <td>Foro</td> <td>4x 60</td> <td>4x 65</td> <td>4x 70</td> <td>4x 75</td> </tr> <tr> <td>Foro</td> <td>4x 10</td> <td>4x 15</td> <td>4x 20</td> <td>4x 25</td> <td>4x 30</td> <td>4x 35</td> <td>4x 40</td> <td>4x 45</td> <td>4x 50</td> <td>4x 55</td> <td>Foro</td> <td>4x 60</td> <td>4x 65</td> <td>4x 70</td> <td>4x 75</td> </tr> <tr> <td>Foro</td> <td>4x 10</td> <td>4x 15</td> <td>4x 20</td> <td>4x 25</td> <td>4x 30</td> <td>4x 35</td> <td>4x 40</td> <td>4x 45</td> <td>4x 50</td> <td>4x 55</td> <td>Foro</td> <td>4x 60</td> <td>4x 65</td> <td>4x 70</td> <td>4x 75</td> </tr> </tbody> </table>										Classe	Dx	Acima	Acima	Acima	Acima	Acima	Acima	Acima	Acima	Acima	Classe	Acima	Acima	Acima	Acima	Interferência	2,0	4x2	4x5	4x 10	4x 15	4x 20	4x 25	4x 30	4x 35	4x 40	Interferência	4x 50	4x 55	4x 60	4x 65	Desvio	3	4x4	4x 5	4x 10	4x 15	4x 20	4x 25	4x 30	4x 35	4x 40	Desvio	4x 50	4x 55	4x 60	4x 65	Foro	4x 25	4x 30	4x 35	4x 40	4x 45	4x 50	4x 55	4x 60	4x 65	4x 70	Foro	4x 75	4x 80	4x 85	4x 90	Foro	4x 10	4x 15	4x 20	4x 25	4x 30	4x 35	4x 40	4x 45	4x 50	4x 55	Foro	4x 60	4x 65	4x 70	4x 75	Foro	4x 10	4x 15	4x 20	4x 25	4x 30	4x 35	4x 40	4x 45	4x 50	4x 55	Foro	4x 60	4x 65	4x 70	4x 75	Foro	4x 10	4x 15	4x 20	4x 25	4x 30	4x 35	4x 40	4x 45	4x 50	4x 55	Foro	4x 60	4x 65	4x 70	4x 75	Foro	4x 10	4x 15	4x 20	4x 25	4x 30	4x 35	4x 40	4x 45	4x 50	4x 55	Foro	4x 60	4x 65	4x 70	4x 75	Foro	4x 10	4x 15	4x 20	4x 25	4x 30	4x 35	4x 40	4x 45	4x 50	4x 55	Foro	4x 60	4x 65	4x 70	4x 75	Foro	4x 10	4x 15	4x 20	4x 25	4x 30	4x 35	4x 40	4x 45	4x 50	4x 55	Foro	4x 60	4x 65	4x 70	4x 75
Classe	Dx	Acima	Acima	Acima	Acima	Acima	Acima	Acima	Acima	Acima	Classe	Acima	Acima	Acima	Acima																																																																																																																																																											
Interferência	2,0	4x2	4x5	4x 10	4x 15	4x 20	4x 25	4x 30	4x 35	4x 40	Interferência	4x 50	4x 55	4x 60	4x 65																																																																																																																																																											
Desvio	3	4x4	4x 5	4x 10	4x 15	4x 20	4x 25	4x 30	4x 35	4x 40	Desvio	4x 50	4x 55	4x 60	4x 65																																																																																																																																																											
Foro	4x 25	4x 30	4x 35	4x 40	4x 45	4x 50	4x 55	4x 60	4x 65	4x 70	Foro	4x 75	4x 80	4x 85	4x 90																																																																																																																																																											
Foro	4x 10	4x 15	4x 20	4x 25	4x 30	4x 35	4x 40	4x 45	4x 50	4x 55	Foro	4x 60	4x 65	4x 70	4x 75																																																																																																																																																											
Foro	4x 10	4x 15	4x 20	4x 25	4x 30	4x 35	4x 40	4x 45	4x 50	4x 55	Foro	4x 60	4x 65	4x 70	4x 75																																																																																																																																																											
Foro	4x 10	4x 15	4x 20	4x 25	4x 30	4x 35	4x 40	4x 45	4x 50	4x 55	Foro	4x 60	4x 65	4x 70	4x 75																																																																																																																																																											
Foro	4x 10	4x 15	4x 20	4x 25	4x 30	4x 35	4x 40	4x 45	4x 50	4x 55	Foro	4x 60	4x 65	4x 70	4x 75																																																																																																																																																											
Foro	4x 10	4x 15	4x 20	4x 25	4x 30	4x 35	4x 40	4x 45	4x 50	4x 55	Foro	4x 60	4x 65	4x 70	4x 75																																																																																																																																																											
Foro	4x 10	4x 15	4x 20	4x 25	4x 30	4x 35	4x 40	4x 45	4x 50	4x 55	Foro	4x 60	4x 65	4x 70	4x 75																																																																																																																																																											
	Project: Thiago		Date: 23/06/2015		Material Type: 304 SS																																																																																																																																																																					
	Details: Thiago		Date: 19/07/2021		-																																																																																																																																																																					
Approved:		Date:		Quantity: 0																																																																																																																																																																						
Sc.: 1:15				Net Weight: 770 Lbs																																																																																																																																																																						
				Gross Weight:																																																																																																																																																																						
				A3																																																																																																																																																																						
				SolidWorks																																																																																																																																																																						