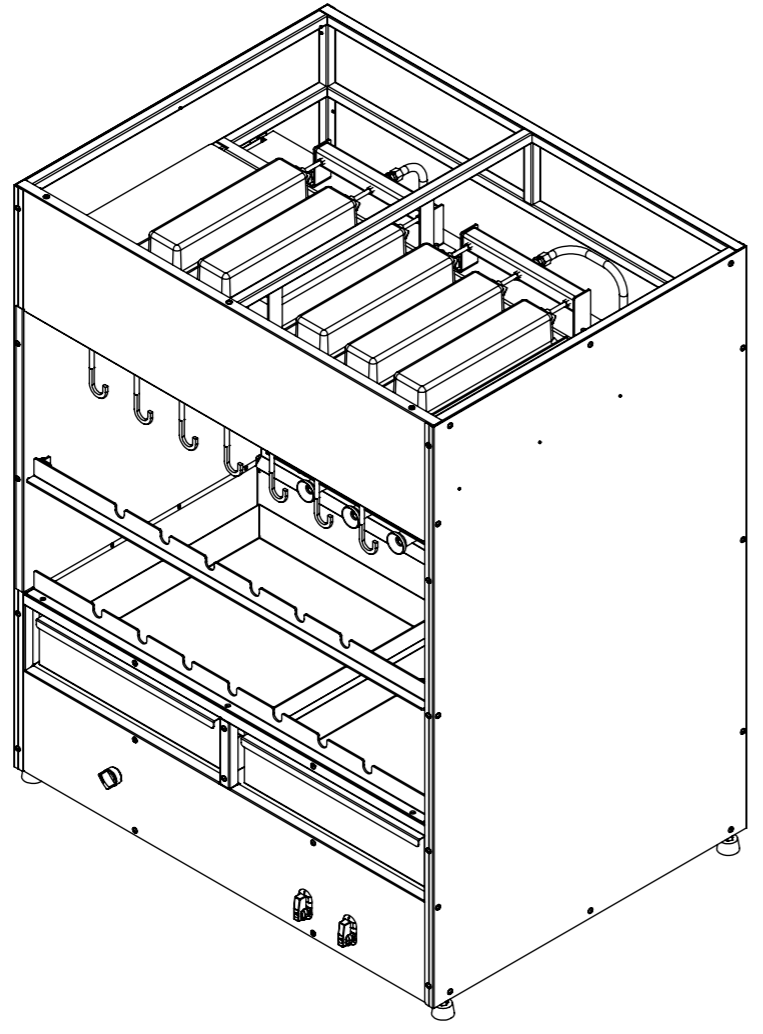
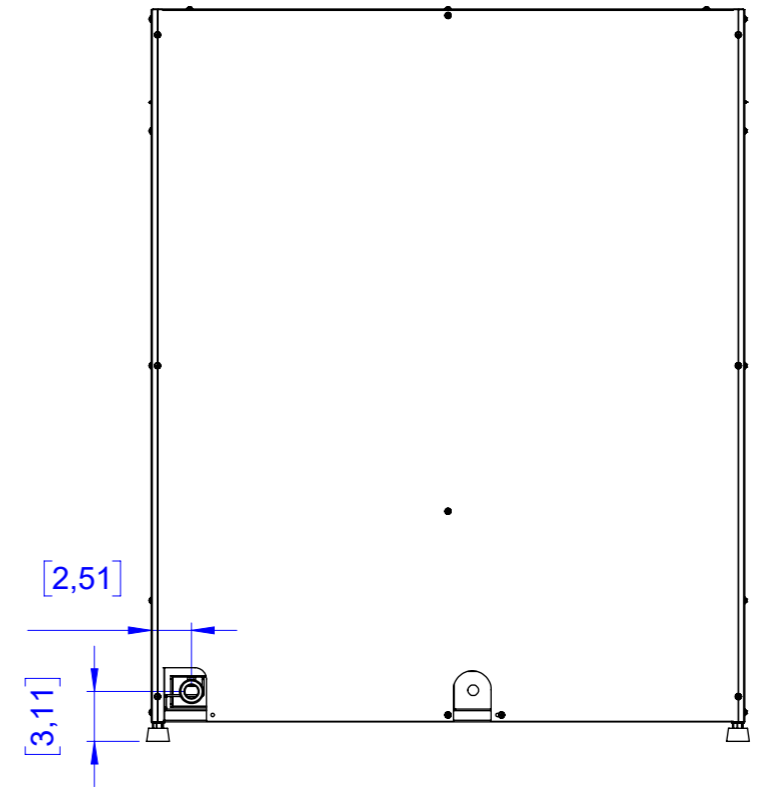
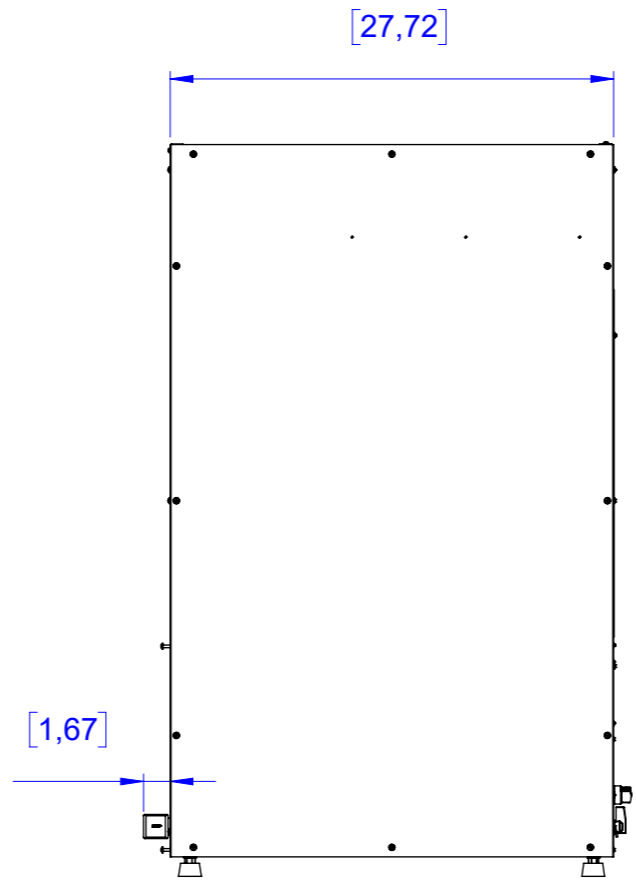
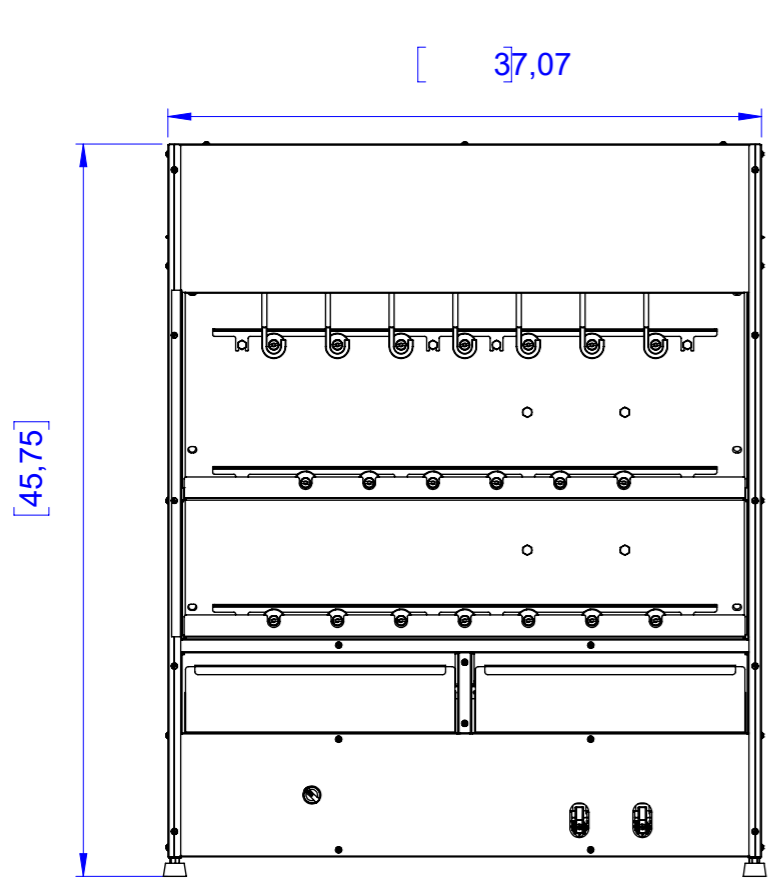
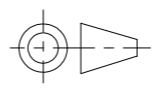



Alteration	Responsible	Date
------------	-------------	------



Item:	Code <b>038714.000</b>	
	Description <b>Gas Table Model Brazilian Grill</b>	
 <b>WILDWOOD</b> BRAZILIAN BBQ'S	Project: <b>Alex</b>	Date: <b>23/04/2018</b>
	Details: <b>Alex</b>	Date: <b>13/09/2023</b>
Approved: <b>Michael Gerard</b>	Date:	Material: Stainless Steel
Sc <b>1:12</b>	Quantity <b>0</b>	Weight: <b>292.</b>
		<b>A3</b> SolidWorks