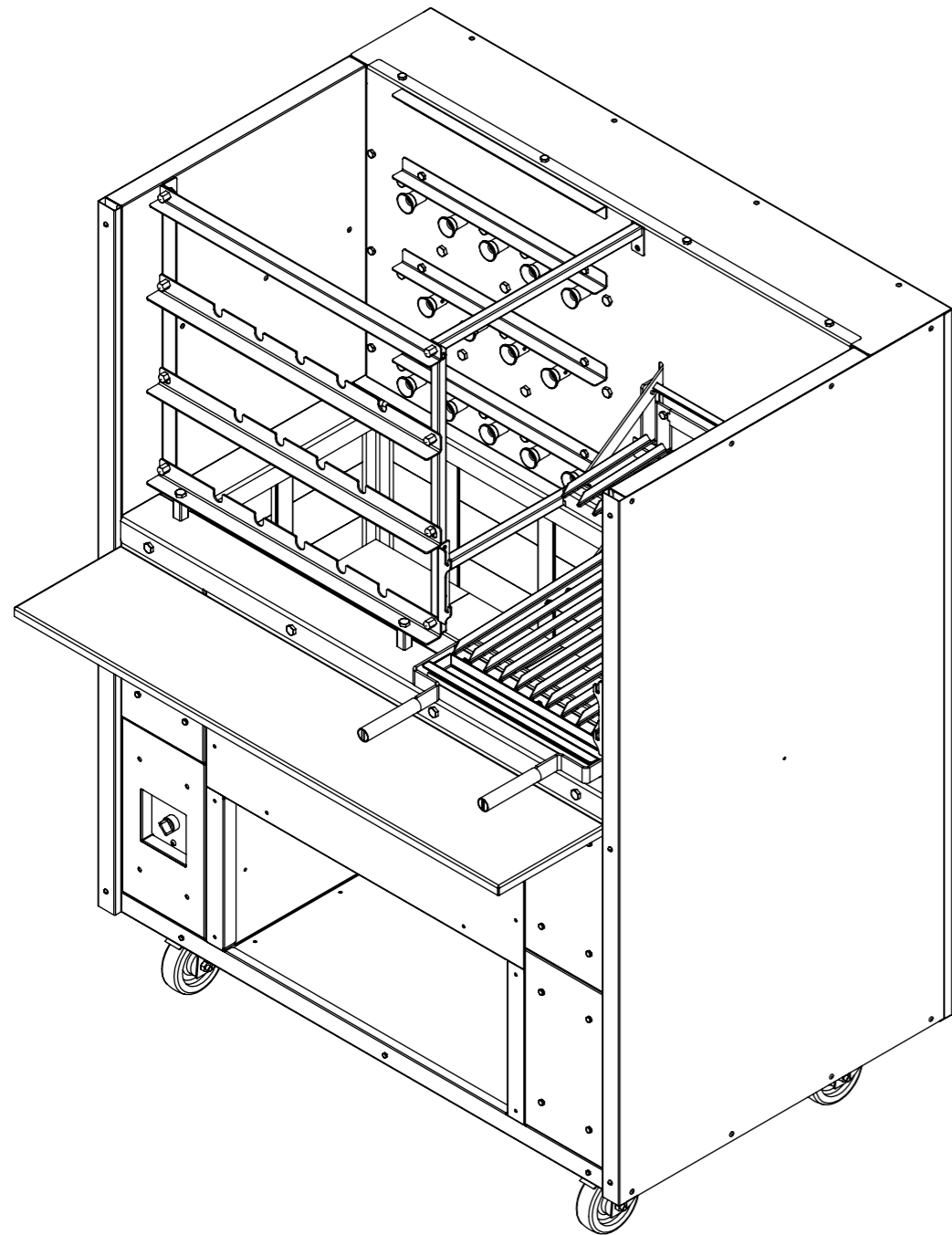
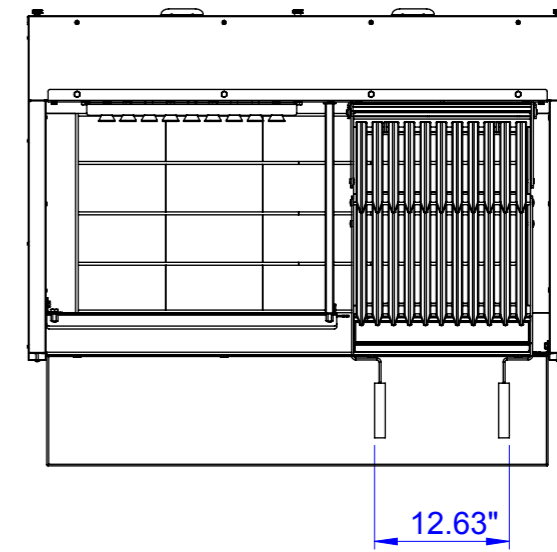
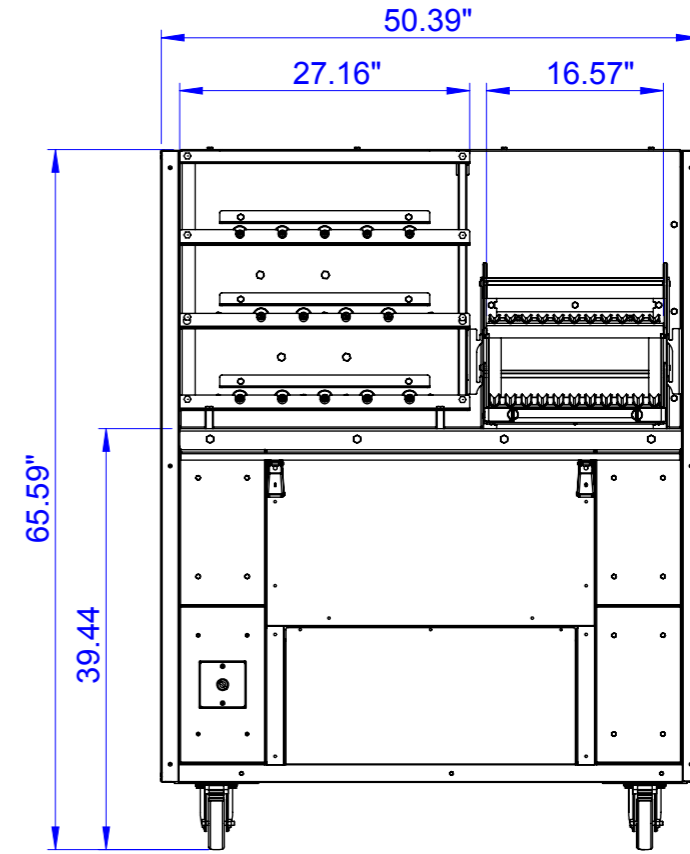
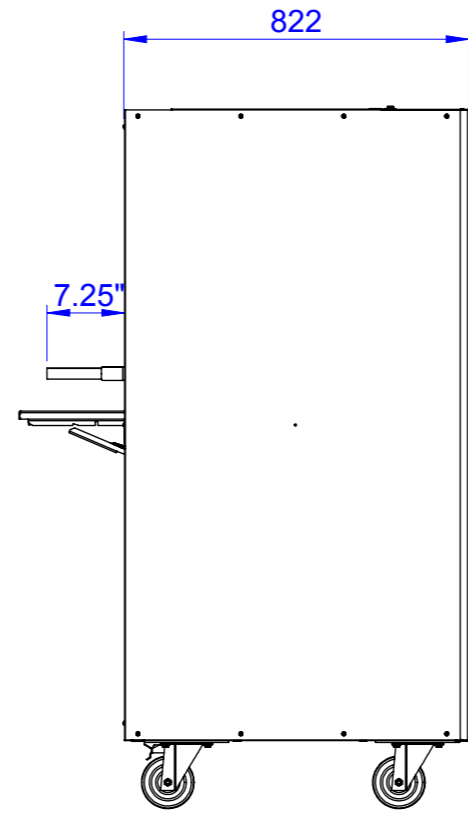


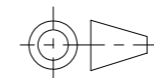
Alterado:

Responsible:

Date:



Item:



Code 029189.000

Description BBQ-CP-COMBO 51



Project: Tim

Date: 2/4 /2013

Material Type :304 Stainless Steel

Details: Tim

Date: 9/14/2021

Approved: MG

Date: 3/14/25

Sc.: 1:18

Quantity : 0

Weight- 1212 Lbs.

A3

SolidWorks