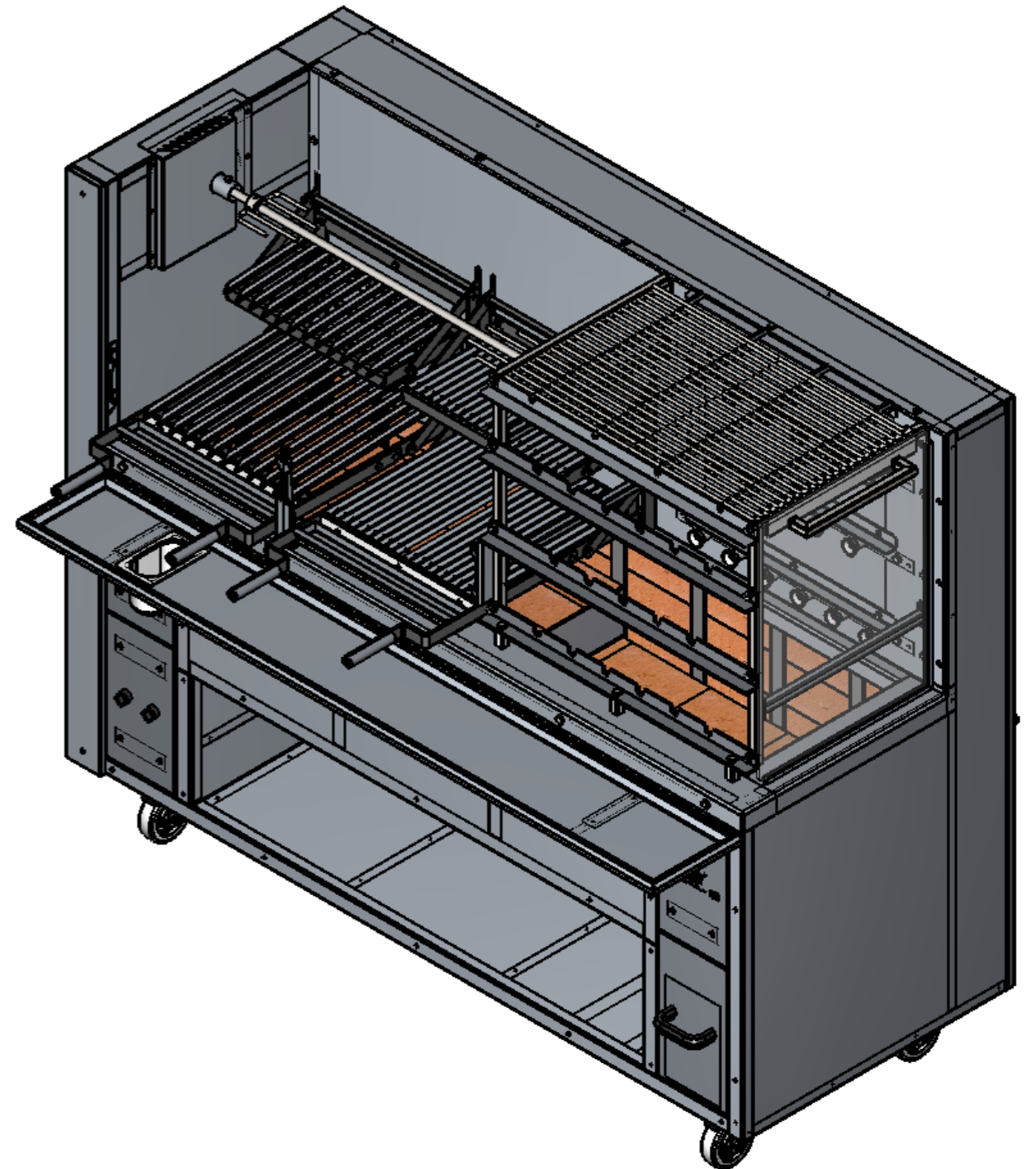


Alteration:

Responsible

Date:



Item:			Code: 014132.000
			Description: M 350 + Ash Drawer + 2 LIFT 500 + Material 304
	Project: Robert	Date: 04/02/2013	Material:
	Details: Robert	Date: 27/07/2017	Material:
	Approved:	Date:	
Sc.: 1:13			A3
		Quantity: 0	Weight: 1918
		Total Weight	

WILDWOOD
BRAZILIAN BBQ

SolidWorks