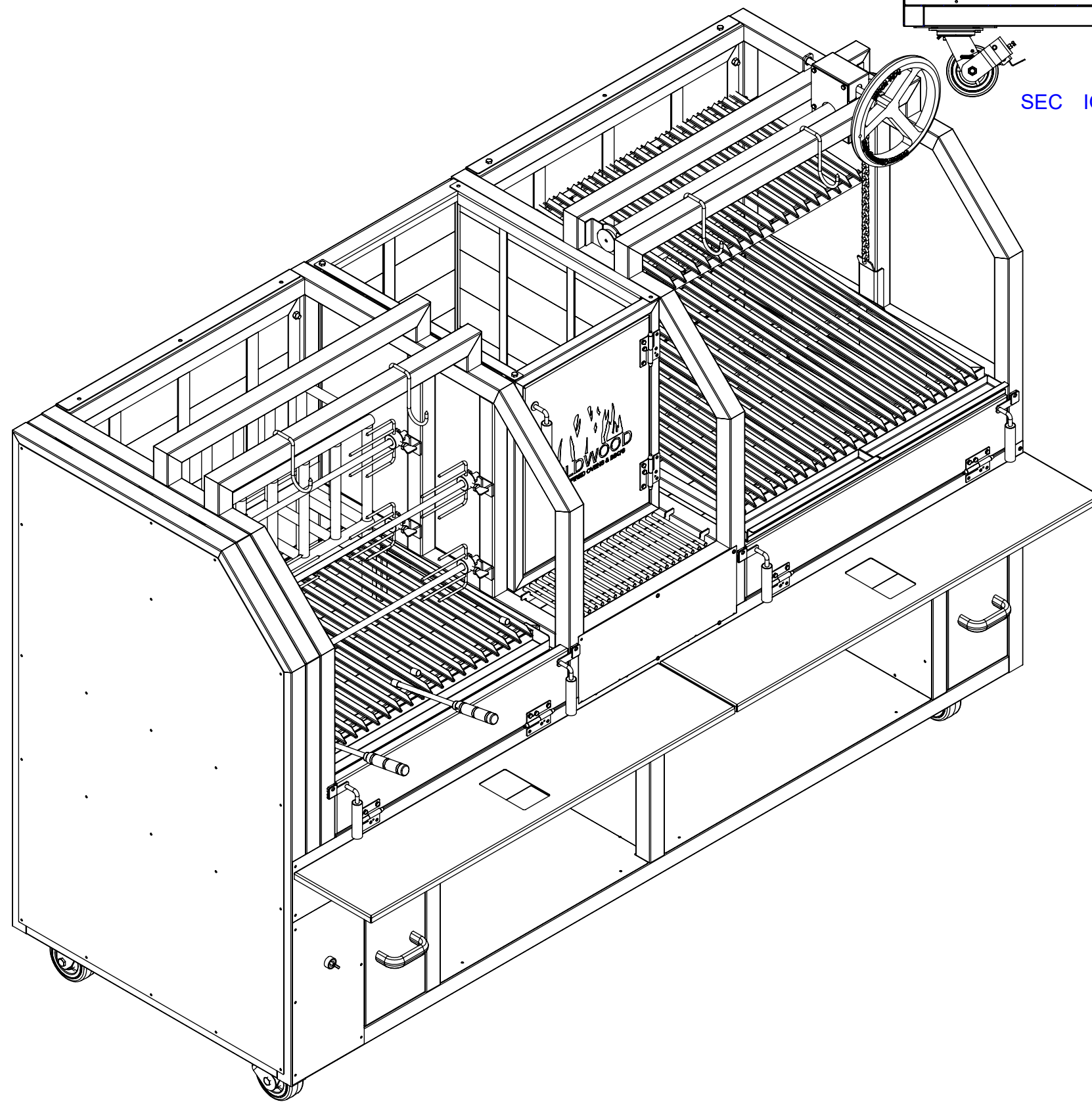
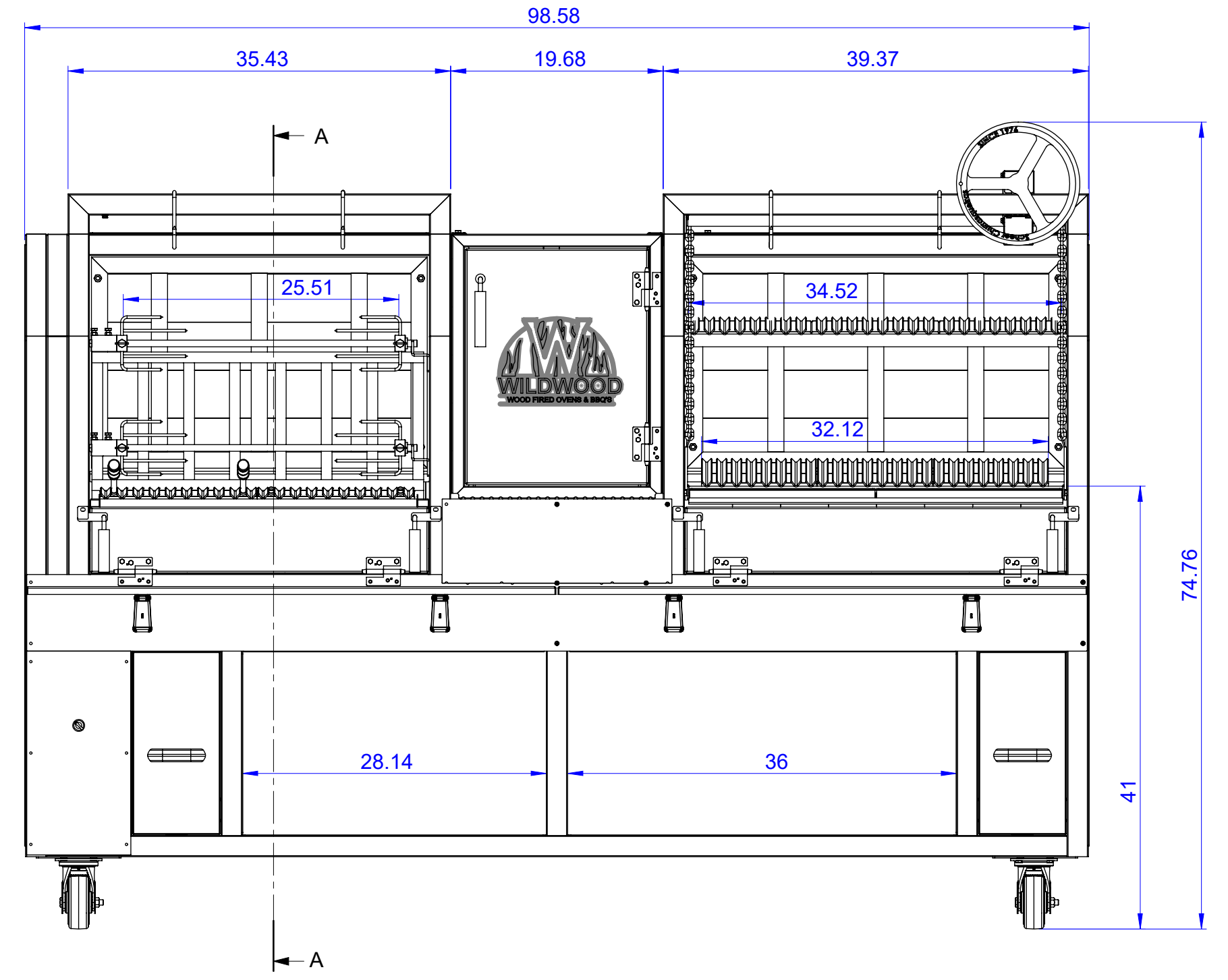
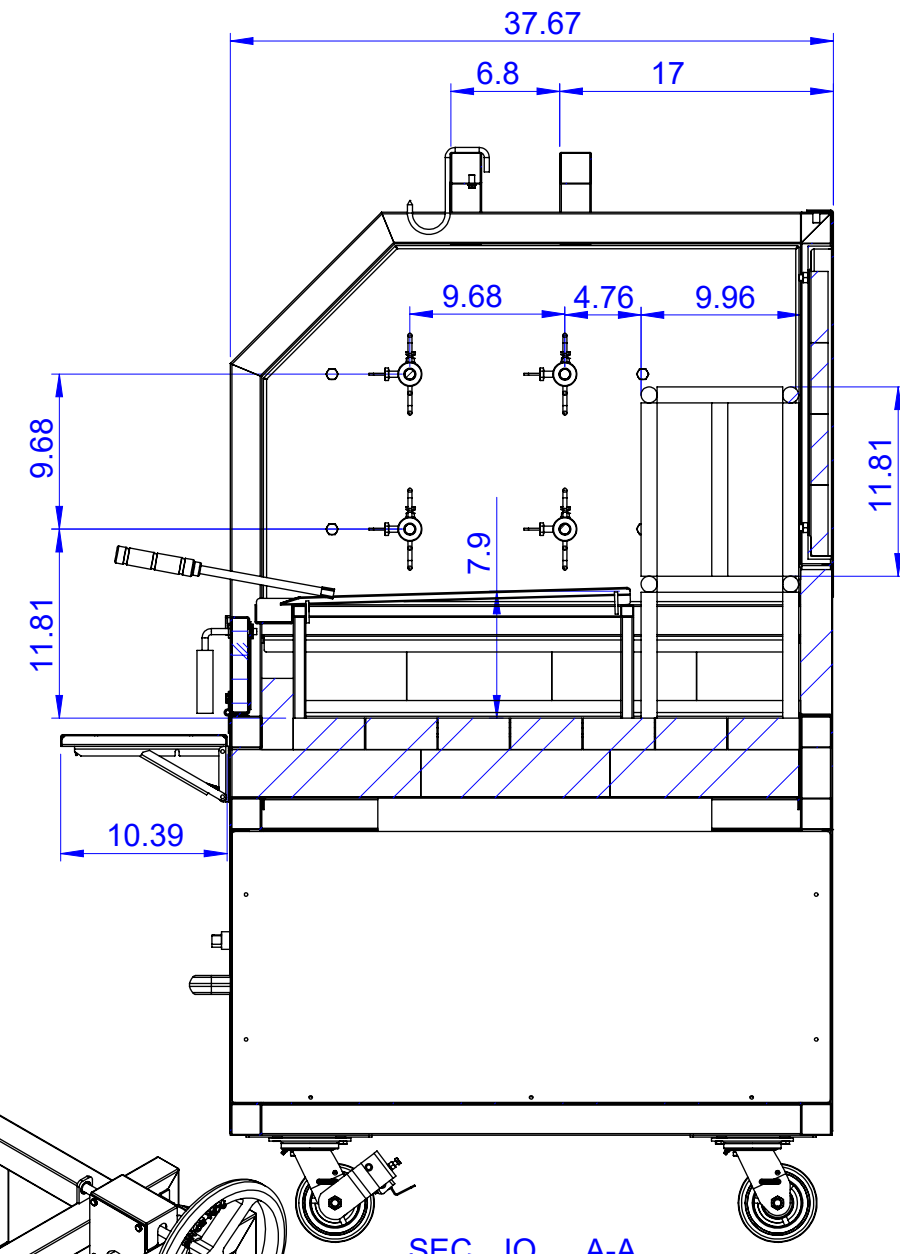


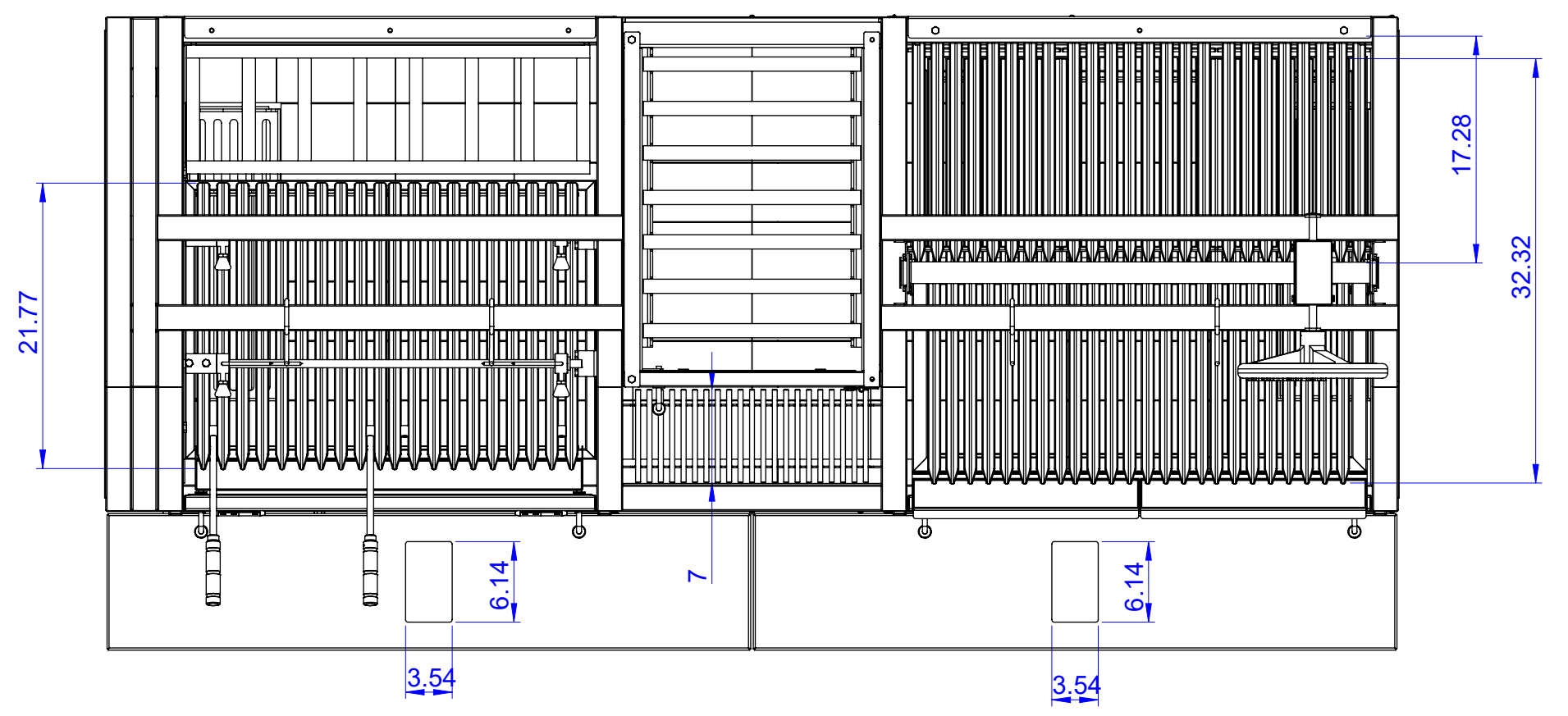
Alteration:

Responsible

Date:



SEC IO A-A



Item:	Code: 023465.000	
	Description: PARRILLA 675/2500 Custom	
	Acab. Superficial:	
Project: Robert	Date: 08/10/2020	Material: pe
Details: Robert	Date:	Material:
Aproved:	Date:	
Esc.: 1:12	Quantit : 0	LBS: 2272
		ross Lbs:

A2

SolidWorks