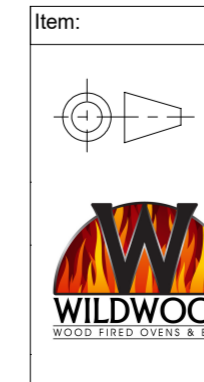
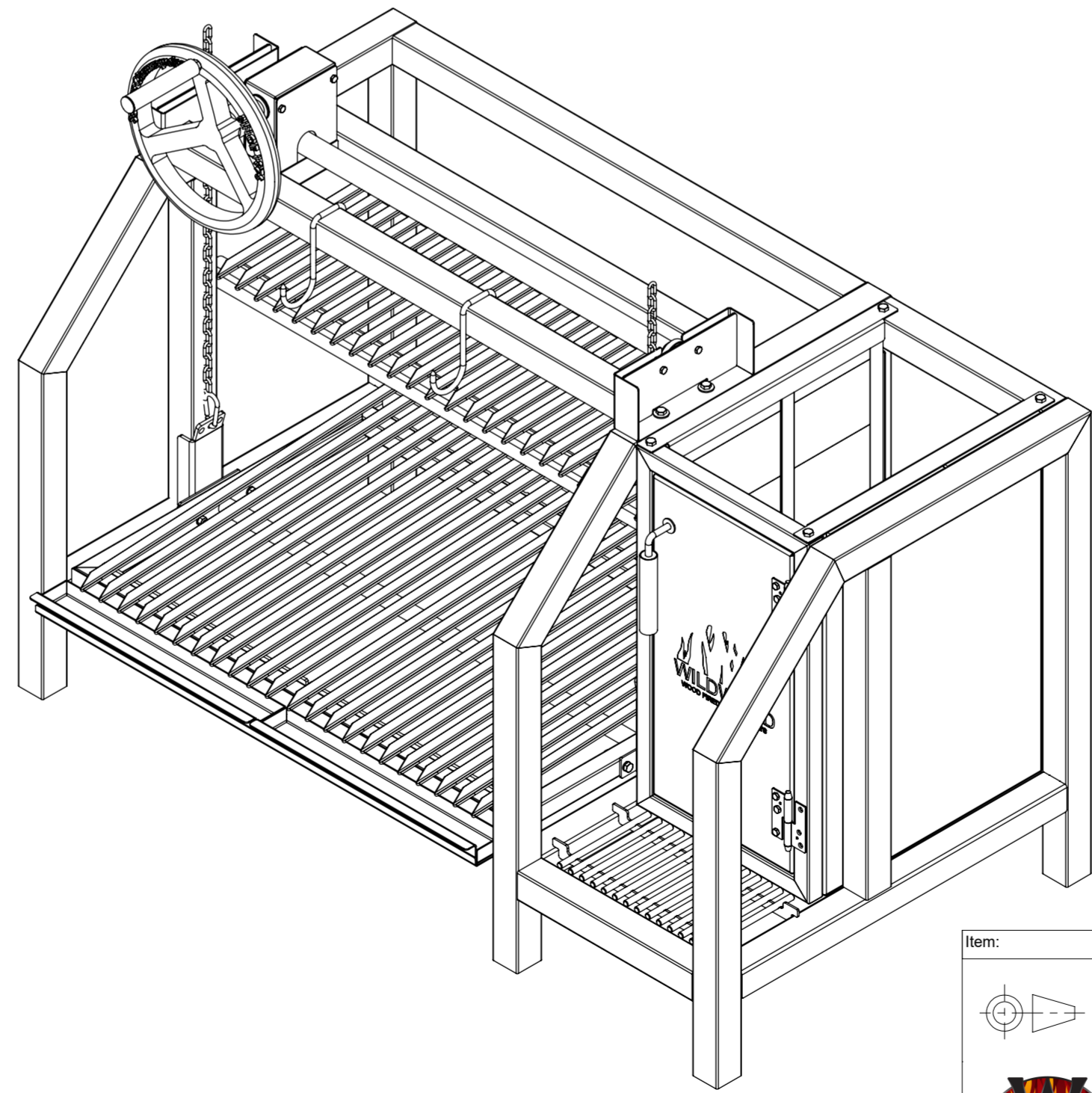
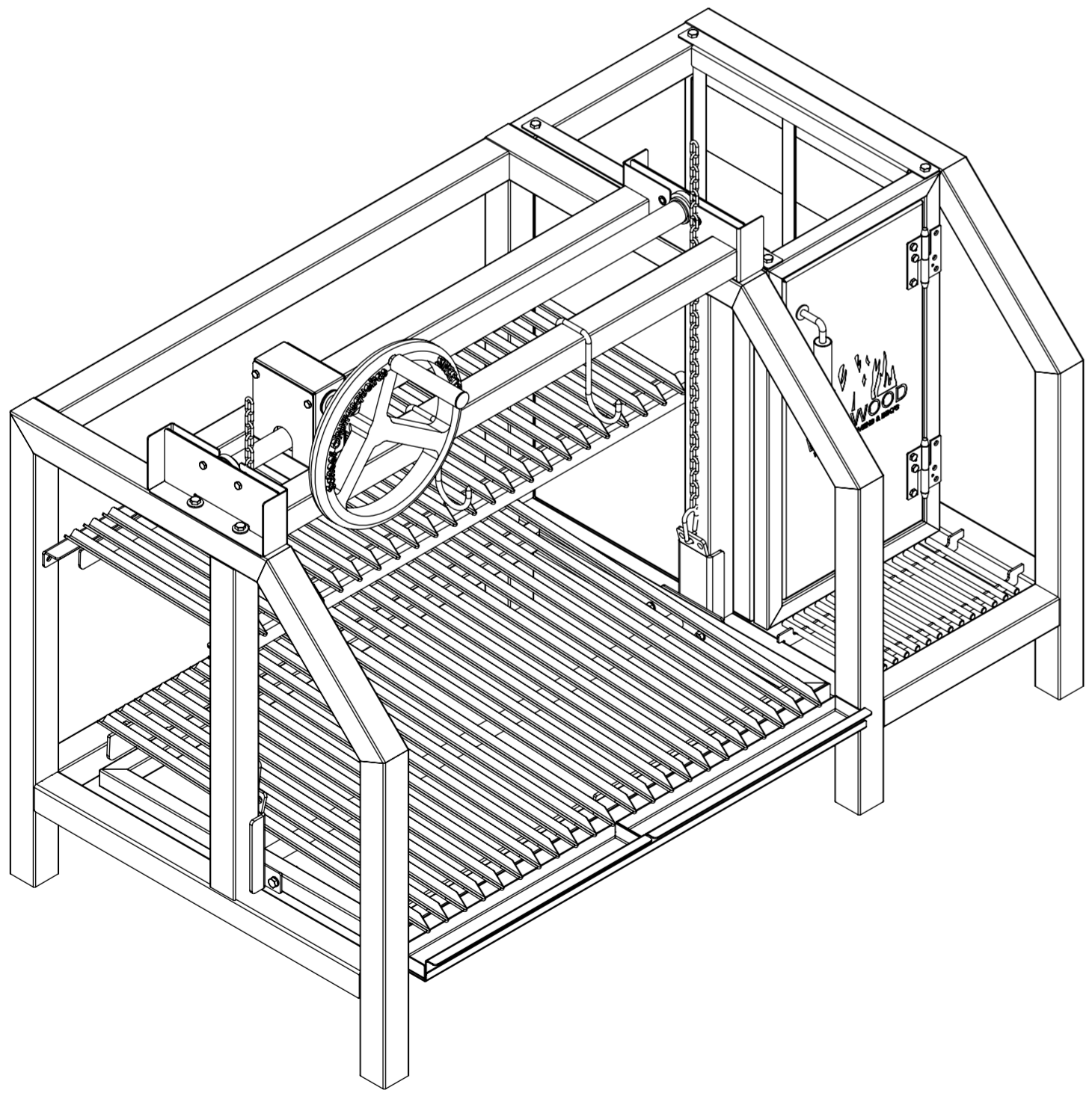
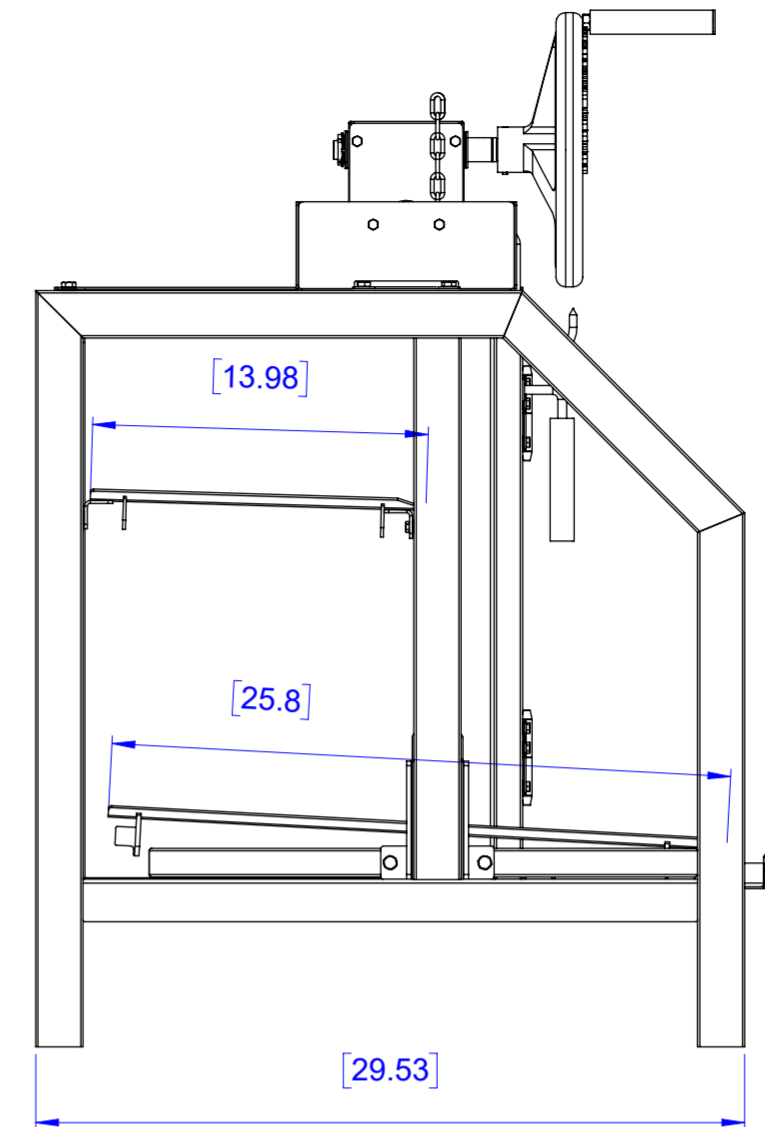
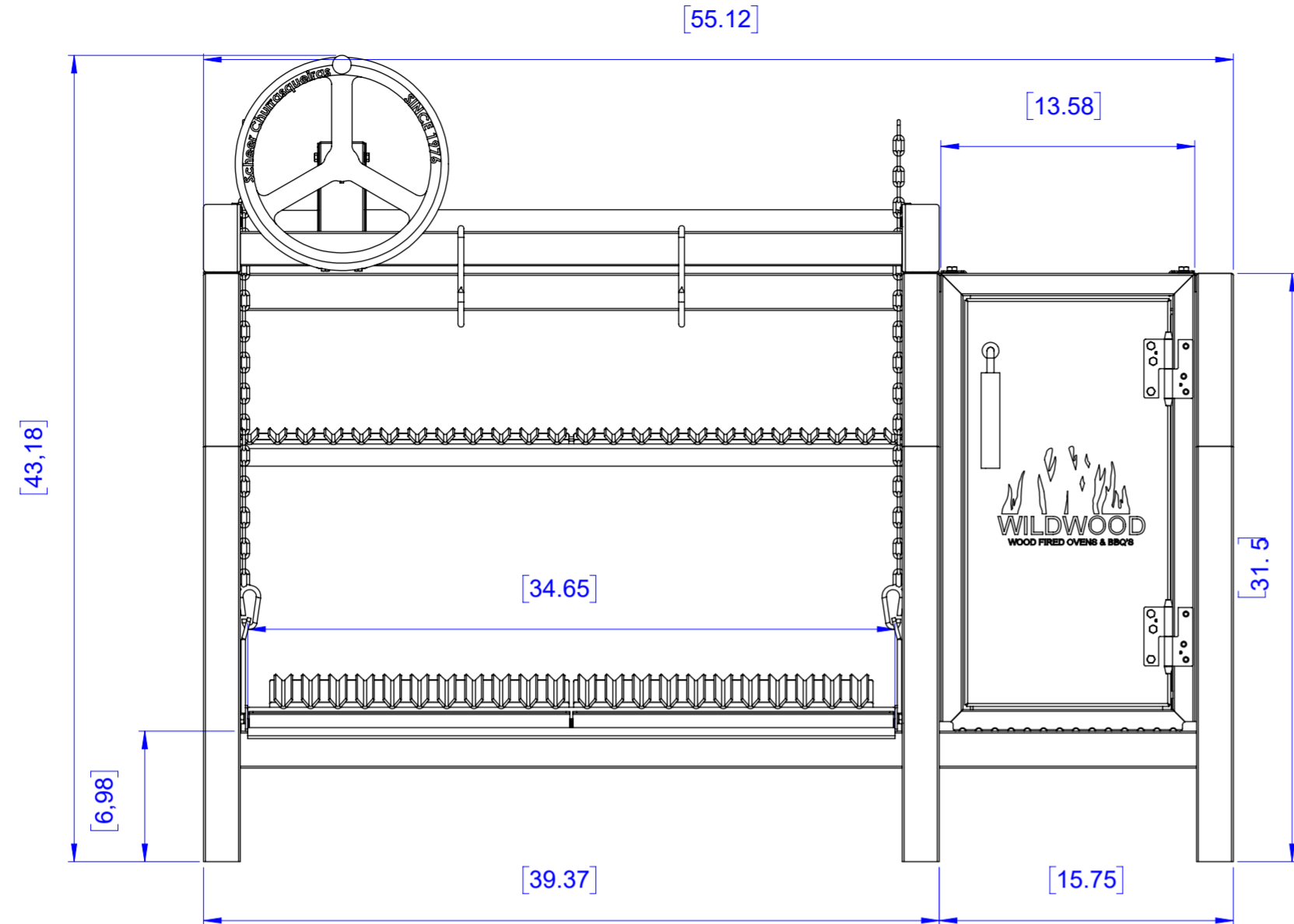


Alteration

Responsible

Date



Item:		Code: 025183.000	
Description		55" PARRILLA INSERT + FIRE LIGHTER	
Project	Robert	Date:	21/01/2019
Details	Robert	Date:	26/03/2024
Approved	MG	Date:	
Sc:	1:8	Weight	296
Material Type		304 Stainless Steel	
Material:		-	
		A2	
		SolidWorks	